



**GREEN LION**



**Green Lion**

**GLV-100 Cordless Vacuum Cleaner**

SKU: GNGLV100CVBK

# Table of Contents

Important Warning	2
User Safety Precautions	2
Charger Safety Notes	3
Battery Safety Precautions	3
Service Guidelines	4
Intended Use	4
Warning	5
Schematic View	5
Operation Methods	5
Adjusting Speed	7
Charging	7
Cleaning the Dust Cup	7
Filter Maintenance	8
Disassembly/Cleaning the Brush	9
Troubleshooting	11
Specifications	11
Warranty	12
Contact Us	12

## Important Warning

1. Please read all instructions thoroughly before use. Keep these instructions for future reference.
2. Do not use the appliance in the rain or leave it outdoors during wet conditions.
3. Always follow basic safety precautions when operating an electrical appliance to reduce the risk of fire, electric shock, or personal injury.

## User Safety Precautions

1. Store the appliance indoors in a dry place, out of the reach of children.
2. Use the appliance responsibly. It is suitable for use by children aged 10 and older, as well as by individuals with reduced physical, sensory, or mental capabilities, or lack of experience, provided they are supervised or have been instructed on safe use and understand the potential hazards.
3. Do not allow children to play with the appliance. Ensure they are supervised when using or maintaining it.
4. Only use attachments recommended by the manufacturer as stated in this manual. Using unauthorized accessories or attachments may pose a risk of injury.
5. Exercise caution when cleaning stairs.
6. Keep the appliance and its accessories away from hot surfaces.
7. Ensure the appliance's openings are not blocked or hindered. Keep them free from dust, lint, clothing, fingers, and other objects to maintain proper airflow.
8. Keep hair, loose clothing, and other body parts away from openings and moving parts to prevent injury.

## **Charger Safety Notes**

1. Use only the batteries and chargers provided by the manufacturer.
2. Do not attempt to modify the charger in any way.
3. The charger is designed for a specific voltage. Always verify that the mains voltage matches the voltage specified on the rating plate.
4. Using a charger designed for a particular type of battery pack with a different battery pack may result in a fire hazard.
5. Before use, inspect the charger cord for any signs of damage or wear. A damaged or tangled cord can increase the risk of fire or electric shock.
6. Do not misuse or abuse the charger cord.
7. Never carry the charger by its cord.
8. To disconnect from a socket, do not pull the cord. Instead, grasp the plug and pull to disconnect.
9. Avoid wrapping the cord around the charger when storing it.
10. Keep the charger cord away from hot surfaces and sharp edges.
11. The supply cord cannot be replaced. If it is damaged, the charger should be discarded and replaced.
12. Do not handle the charger or the appliance with wet hands.
13. Do not store or charge the appliance outdoors.
14. Always unplug the charger from the socket before removing the battery, or performing any cleaning or maintenance on the appliance.

## **Battery Safety Precautions**

1. This appliance includes Li-ion batteries. Do not incinerate or expose to high temperatures, as this may lead to explosions.
2. Battery leakage may cause skin or eye irritation or burns.
3. In an emergency, immediately contact professional help.
4. If battery cells leak under extreme conditions, avoid contact with the liquid. If contact occurs, wash the affected area with soap and water immediately. If the liquid contacts eyes, rinse them with clean water for at least 10 minutes and seek medical attention.

5. Always wear gloves when handling the battery and dispose of it promptly according to local regulations.
6. Short-circuiting the battery terminals may result in burns or fire.
7. Store the battery pack away from small metal objects like paper clips, coins, or keys, which could create an unintended connection between terminals.
8. Properly remove and dispose of the battery in accordance with local regulations when disposing of the appliance.

## Service Guidelines

1. Inspect the appliance for signs of wear or damage before use and after any impact, making repairs as necessary.
2. Do not operate the appliance if any part is damaged or defective.
3. Repairs should only be conducted by a service agent or an individual with the appropriate qualifications and in compliance with relevant safety regulations. Repairs attempted by unqualified persons could pose a risk.
4. Avoid modifying the appliance in any manner as this could increase the risk of personal injury.
5. Use only replacement parts or accessories that are provided or recommended by the manufacturer.

## Intended Use

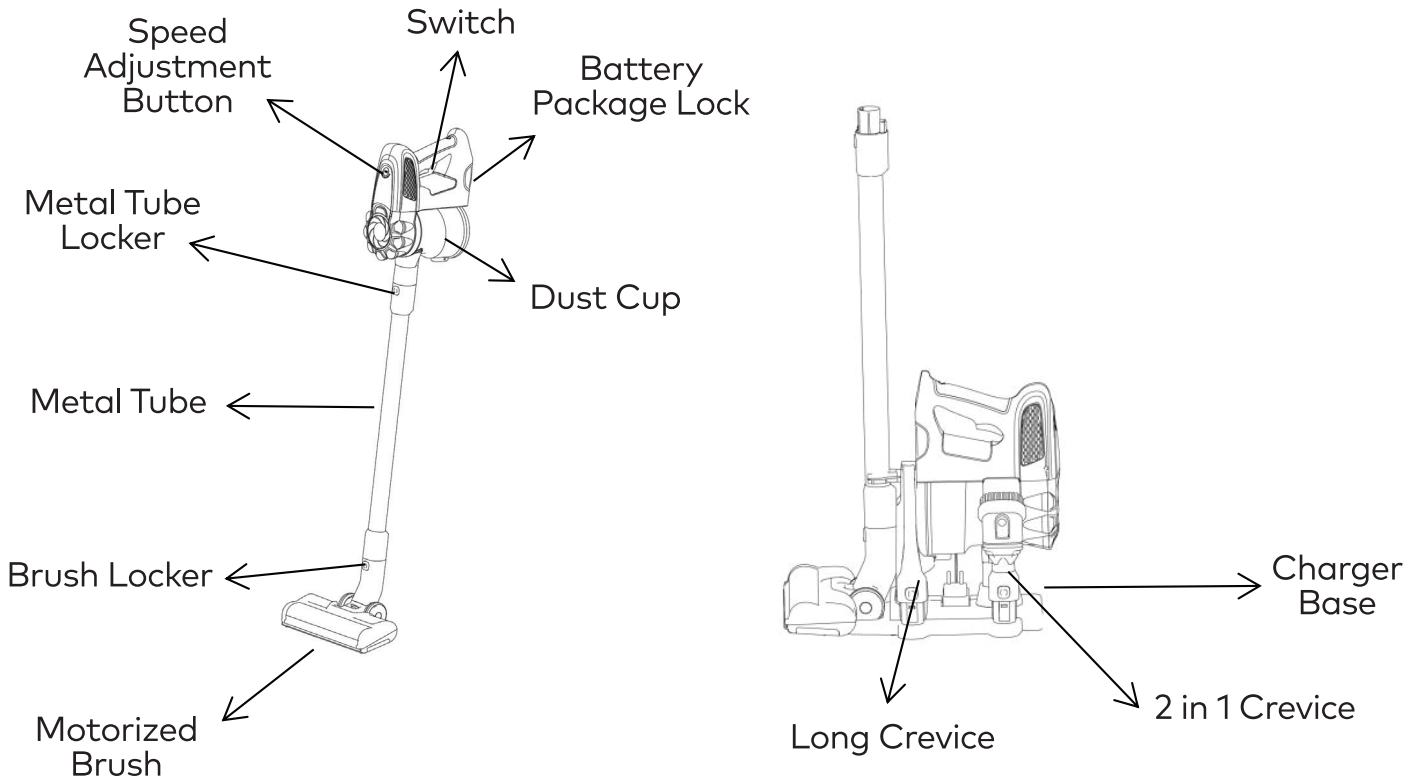
1. This appliance is designed exclusively for domestic dry vacuum cleaning.
2. Avoid using the vacuum to pick up liquids or on wet surfaces.
3. Refrain from vacuuming flammable, burning, or smoking substances.
4. Operate the appliance only as directed in this manual.
5. Do not use on concrete, tarmac, or other rough surfaces.

## Warning

Do not use water, solvents, or polishes to clean the exterior of the appliance. Instead, use a dry cloth.

Never submerge the unit in water, nor attempt to clean it in a dishwasher.

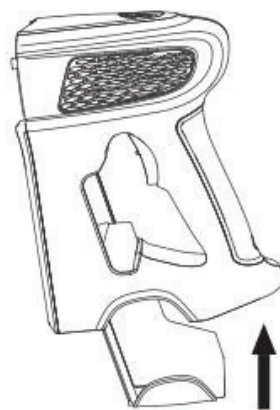
## Schematic View



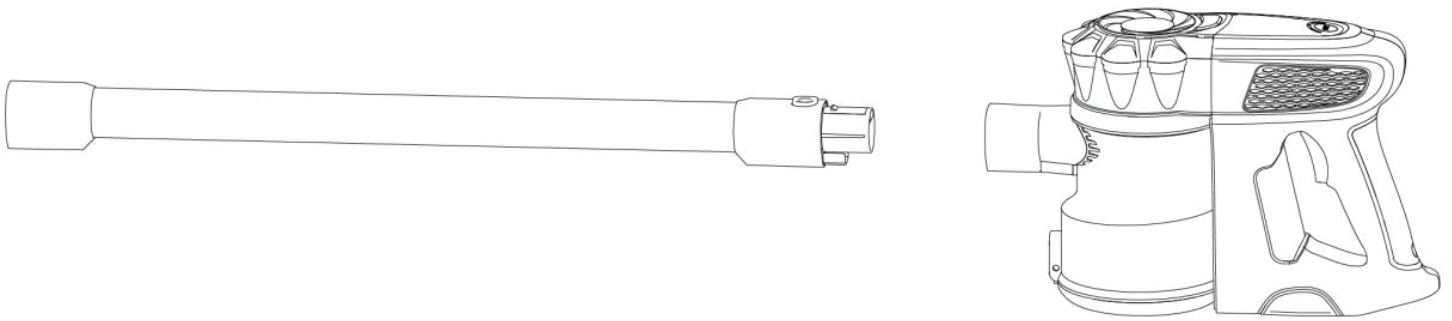
## Operation Methods

### [1] Using the Long Tube

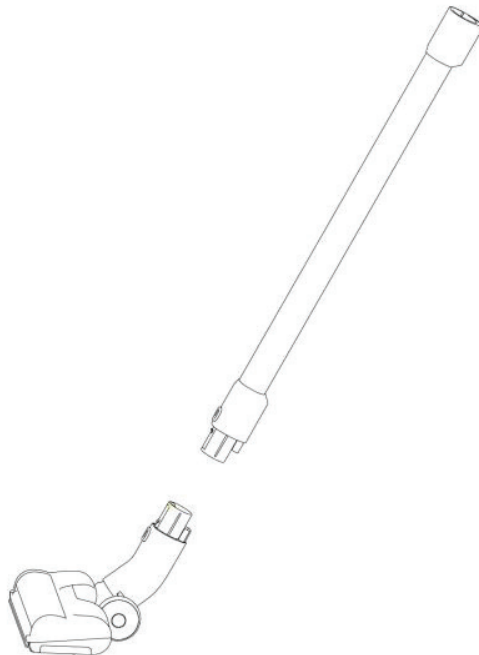
- a. Slide the battery pack into the bottom of the handle until you hear a "click" sound, indicating it is securely locked in place.



**b.** Insert the metal tube into the main body of the vacuum until you hear a "click" sound, confirming it is securely attached.

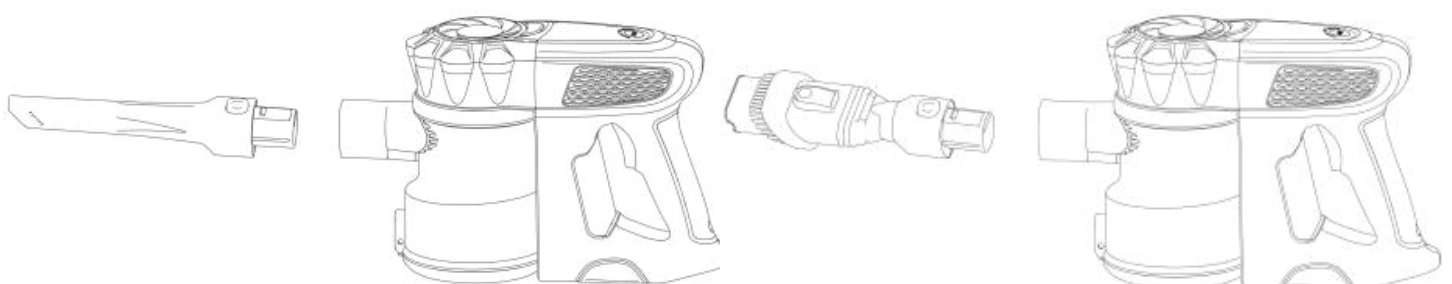


**c.** Attach the brush to the other end of the metal tube until you hear a "click" sound, ensuring it is firmly in place.



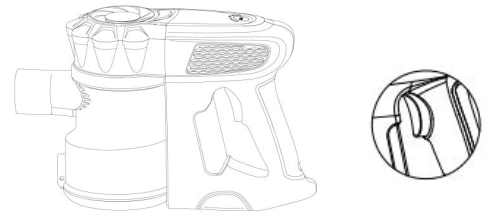
## **[2] Handheld Application**

Insert the desired accessory (either the 2-in-1 brush or the long crevice tool) into the main body of the vacuum, until it clicks into place securely.

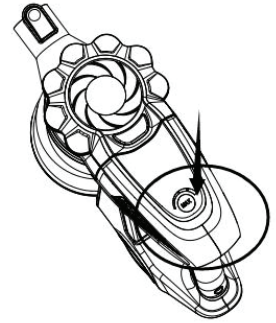


## Adjusting Speed

1. Press the power switch to turn on the vacuum cleaner.



2. Press the switch once to activate the high-speed setting; press again to return to the low-speed setting.

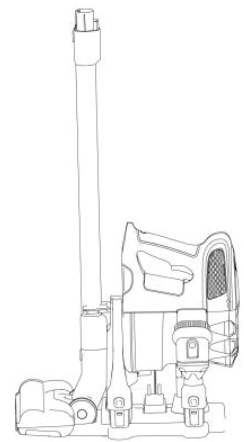


3. Press the switch again to turn off the vacuum cleaner; there is a brief delay of 0.5 seconds before it shuts down.

## Charging

1. Begin the charging process when the last red light blinks, indicating low battery.

2. Place the vacuum on the storage rack to charge, or near any power source as shown in the diagram.



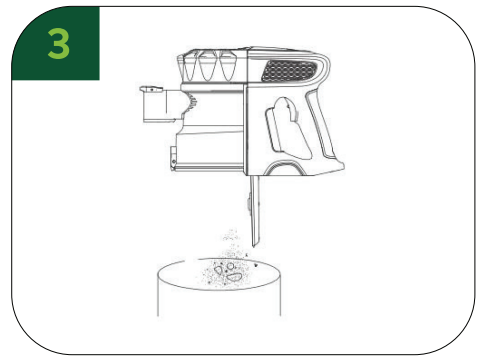
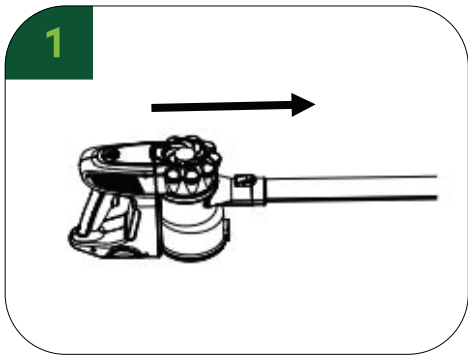
3. The blue lights will illuminate continuously once the battery is fully charged.

## Cleaning the Dust Cup

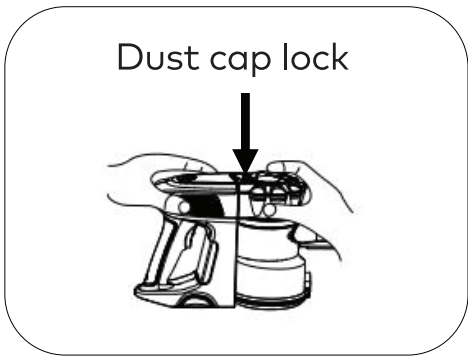
1. Press the metal tube locker and then remove the metal tube.

2. Release the lock on the dust cup to prepare it for emptying.

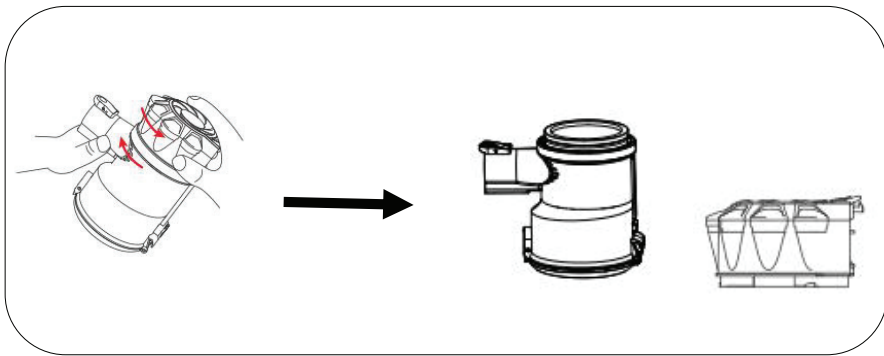
3. Invert the dust cup over a trash receptacle to empty its contents.



## Filter Maintenance



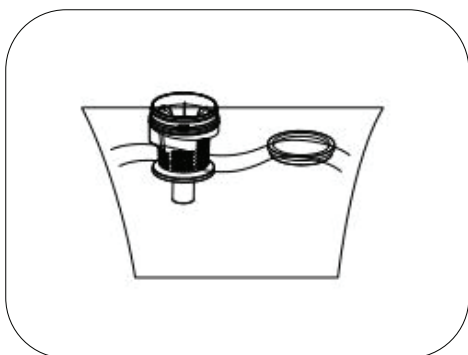
**Step 1:** Release the duct cup lock and separate the main unit.



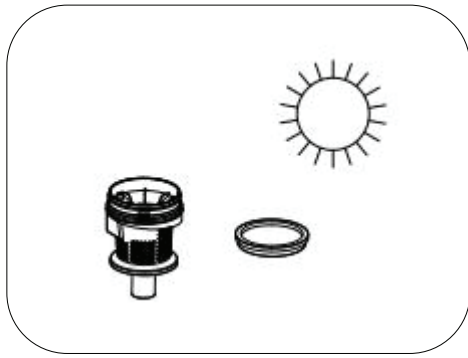
**Step 2:** Open the dust cup as shown below.



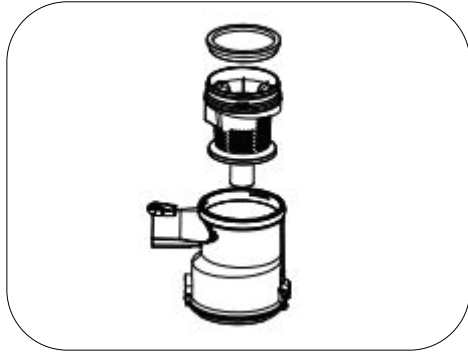
**Step 3:** Remove the filter case, then take out the filter.



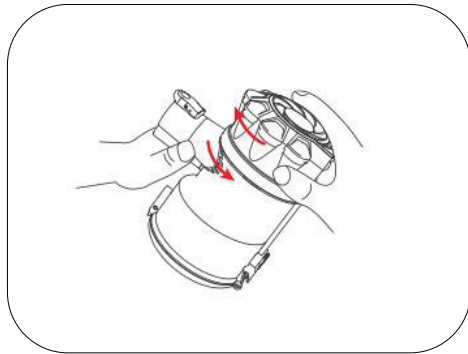
**Step 4:** Wash both the filter case and the HEPA filter.



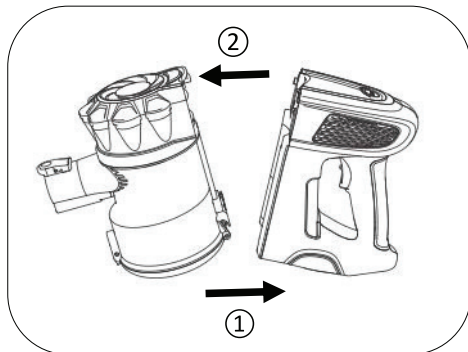
**Step 5:** Ensure the HEPA filter and filter case are completely dry before reassembly.



**Step 6:** After the components are dry, reassemble the filter into the case.



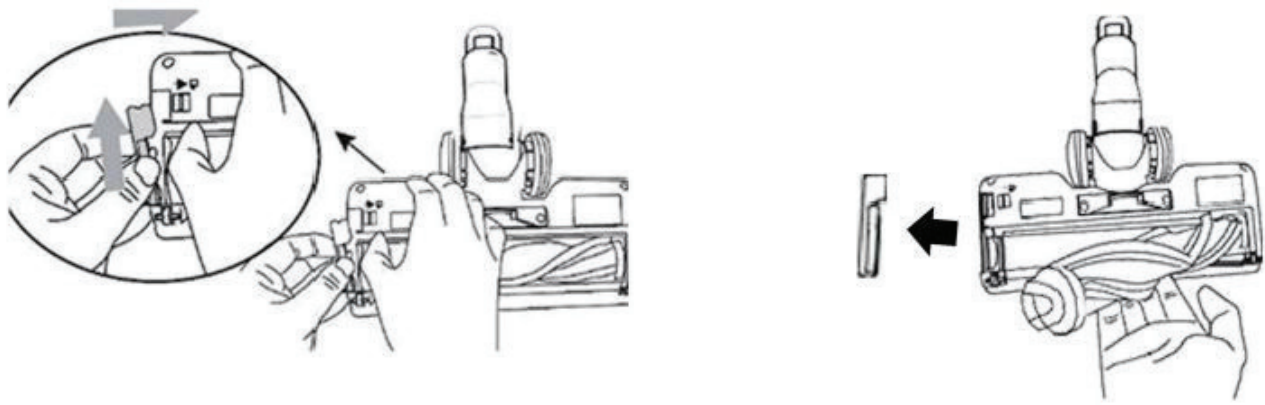
**Step 7:** Close the dust cup as demonstrated in the images.



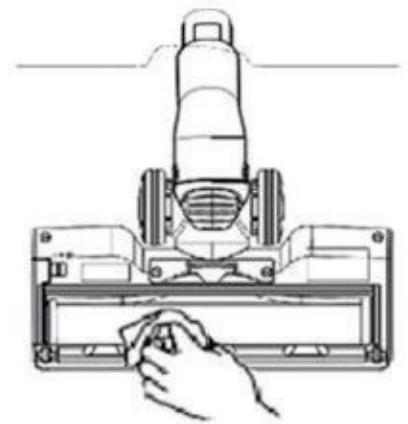
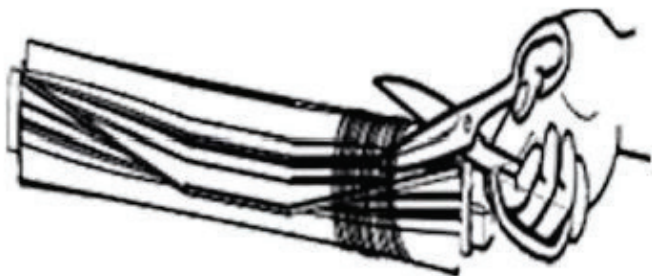
**Step 8:** Reattach the dust cup to the handheld part of the vacuum, ensuring the lower part is secured first before locking the top.

## Disassembly/Cleaning the Brush

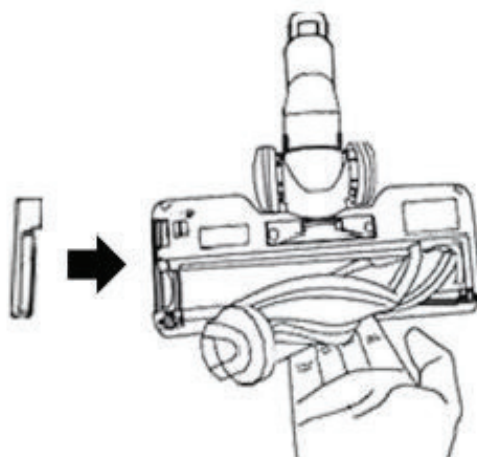
**Step 1:** First, detach the Power Motorized Brush from the chrome pole and rotate the head so that the flat side faces you. At the bottom right corner, press the red tab to the left and lift the brush latch on the right to remove the brush frame.



**Step 2:** Remove any hair and debris entangled around the roller brush using scissors. Carefully clean the transparent brush window with a dry cloth to ensure optimal visibility and performance.



**Step 3:** Once the cleaning is complete, reinsert the roller brush into the LED Multi-function Power Brush window. Notice that each side of the roller brush has distinctly shaped holes: one side displays a star-shaped hole, and the other a U-shaped hole. Align the star shape with the right side of the Multi-function Power Brush window, and the U shape with the left side. After properly aligning, firmly press down on the brush frame to secure it into place.



## Troubleshooting

Does not clean Well	<ol style="list-style-type: none"><li>1. Empty the dust bin.</li><li>2. Ensure the dust bin is correctly installed.</li><li>3. Verify that the filter is properly secured.</li><li>4. Clean the filter thoroughly.</li></ol>
Stopped working	<ol style="list-style-type: none"><li>1. Recharge the battery.</li><li>2. Remove any debris from the brush bar.</li></ol>
The battery does not charge	<ol style="list-style-type: none"><li>1. Inspect all connections for proper setup.</li><li>2. Check the wall socket for functionality.</li></ol>

## Specifications

Model No.	GLV-100
Material	ABS+PP
Motor	DC Brushless
Power	250W
Battery	Lithium-ion
Capacity	2200mAh
Voltage	25.9V
Noise Level	<78 dB
Suction Power	20 kPa
Airflow	1.2 m <sup>3</sup> /min
Dustbin Capacity	1.4L
Charging Port	DC Port
Charging Time	4.5h
Working Time	20-35 min
Product Size	340×127×215 mm
Product Weight	2.3 kg

## **Warranty**

Products that you buy directly from our **Green Lion** website or shop come with a 24-month warranty.

When you buy **Green Lion** products from any of our approved sellers, you only get a 12-month warranty. If you want to extend this warranty, go to our website at <https://www.greenlion.net/warranty> and fill out the form with your information. Don't forget to upload a picture of the product too. After we've checked and accepted your request, we'll send you an email to confirm that your product's warranty has been extended.

For more info, please check:

<https://www.greenlion.net/warranty>

## **Contact Us**

If you have any questions about this Privacy Policy, please contact us at:

Website: <https://www.greenlion.net/>

Sales: [sales@greenlion.net](mailto:sales@greenlion.net)

Service Support: [Support@greenlion.net](mailto:Support@greenlion.net)

Telegram: [@greenlion\\_global](https://www.instagram.com/greenlion_global)

Instagram: [@greenlion\\_global](https://www.instagram.com/greenlion_global)