

**PORODO**



**Porodo**  
**Cordless Stick Vacuum PRO**

SKU: PD-LFST030-WH

# **Table of Contents**

Safety Instructions	2
[A] Restrictions on Use	2
[B] Batteries and Charging Instructions	2
[C] General Notes	3
Schematic View	3
Accessory List	4
Assembly Method	4
Instructions for Use	5
[A] Power On/Off	5
[B] Charging	5
[C] Usage Precautions	5
[D] Cleaning Foreign Objects	6
Accessories Instructions	6
Care and Maintenance	7
Cleaning the Filter	8
Specifications	8
Troubleshooting	9
Warranty	10
Contact Us	10

Before using the product, please carefully read this User Manual to guarantee correct usage and keep it secure for future reference.

## Safety Instructions

### [A] Restrictions on Use

1. Do not operate the product outdoors, or in commercial and industrial environments.
2. Children should not use the product as a toy. Ensure children are supervised and kept at a distance when the product is in use.
3. Avoid using the product in environments where the temperature is above 40°C or below 4°C, or in highly humid conditions.
4. The product should not be operated by individuals with physical, mental, or sensory impairments.
5. Keep humans and pets away from the brush head when it is rotating to prevent injuries.
6. Do not handle the power adapter or operate the product with wet hands to avoid the risk of injury.
7. Refrain from using the product to vacuum liquids, such as water or cola.
8. Do not vacuum burning or smoking materials, including unextinguished cigarette butts.
9. Avoid using the product to vacuum hard or sharp objects, such as debris from decorations, glass, or nails.
10. Operate the product following the instructions provided. Any damage resulting from misuse is the responsibility of the user.
11. This product is suitable for use at altitudes up to 3,000 meters.

### [B] Batteries and Charging Instructions

1. This product should only be charged with its designated power adapter. Do not use batteries, power adapters, or charging stands from third parties.
2. Do not disassemble, repair, or modify the battery, power adapter, or charging stand yourself.
3. Avoid charging or placing the charging stand near sources of heat or moisture, such as radiators or bathrooms.

4. Do not clean the power adapter or charging stand with a wet cloth or while your hands are wet.
5. Batteries should not be disposed of casually. Please ensure they are recycled through a professional recycling organization.
6. If the power cord is damaged or broken, cease using it immediately and contact professional service agents.
7. If the product is unused for an extended period, disconnect and store the power adapter in a cool, dry place after charging. Recharge the battery at least once every three months to prevent over-discharge.

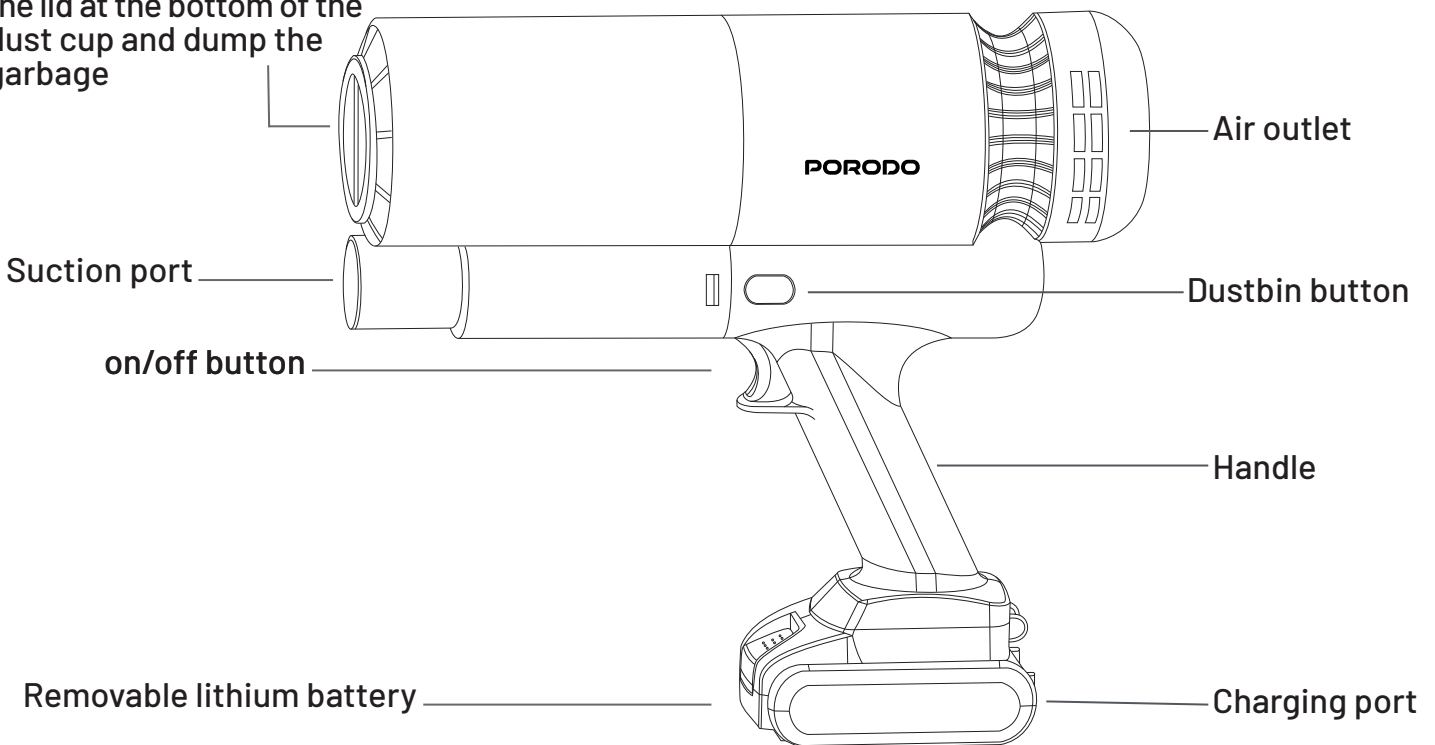
## [C] General Notes

1. For transportation of the product, the use of original packaging is recommended.
2. Regularly clean the filter with tap water at least once a month. For detailed instructions, refer to the Maintenance and Care section.

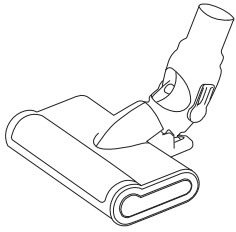
## Schematic View

Dustbin cover

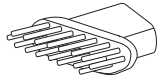
Rotate to open and remove the lid at the bottom of the dust cup and dump the garbage



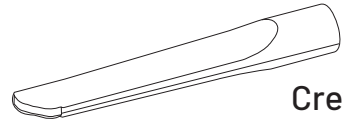
# Accessory List



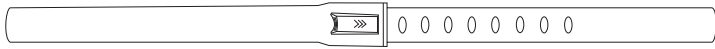
Floor Brush



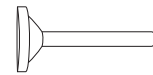
Brush



Crevice head



Extension pole



Blow nozzle



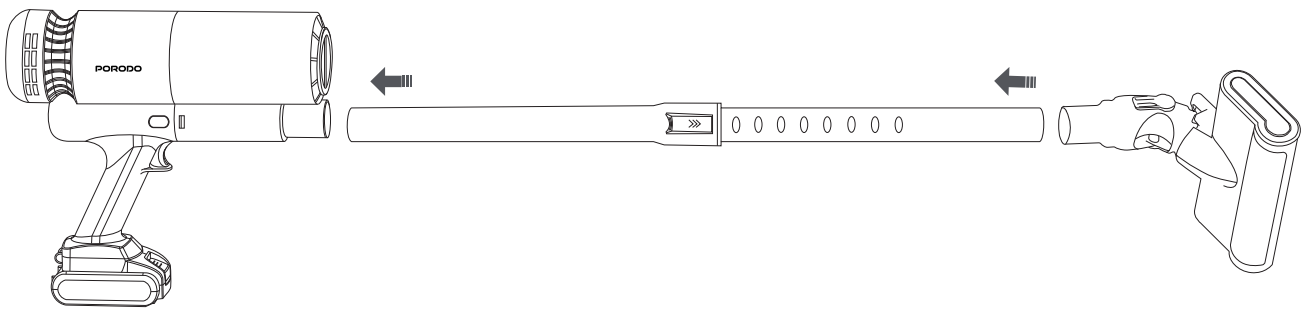
Filter Cleaning Brush



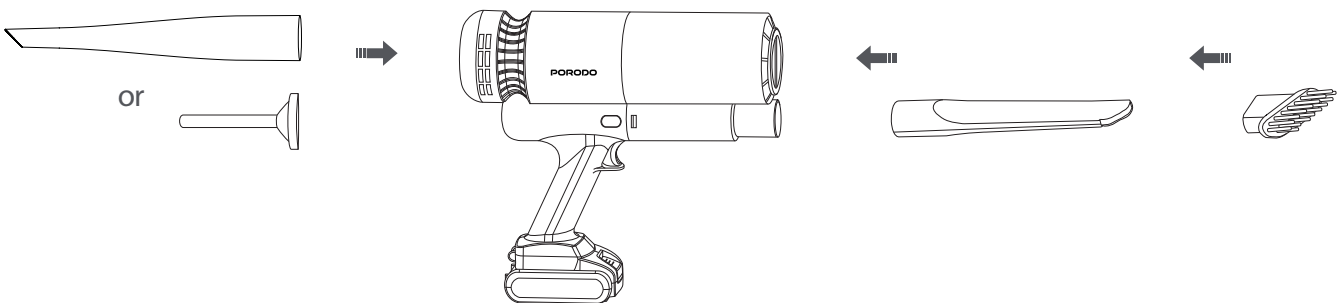
Type-C Charging Cable

# Assembly Method

**Method 1:** Assemble the body with the extension pole and floor brush.



**Method 2:** Combine the body with the crevice nozzle and brush nozzle.

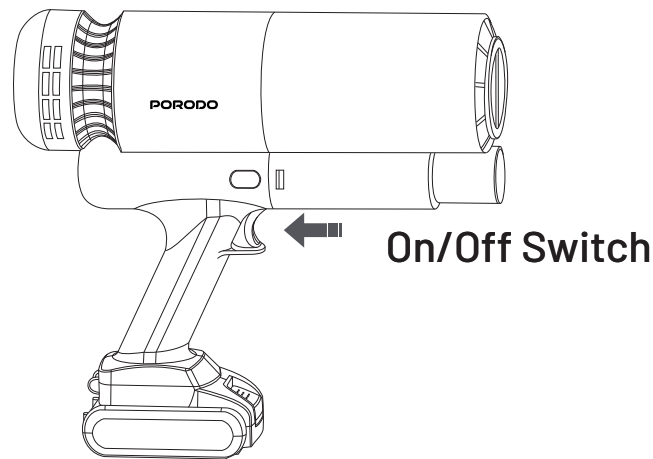


**Method 3:** Attach the blow nozzle to the body.

# Instructions for Use

## [A] Power On/Off

1. Activate the vacuum cleaner by pressing the switch button once.
2. To turn off the vacuum cleaner, press the switch button twice.

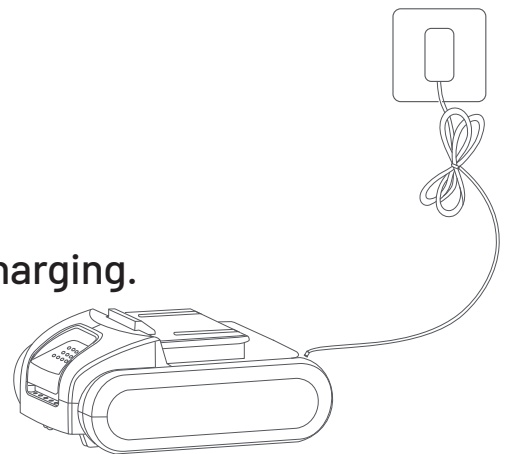


## [B] Charging

Charging The vacuum cleaner allows for direct charging using the included power adapter.

### Caution:

1. The vacuum cleaner will be inoperative during charging.
2. After extensive use, particularly in high-power mode, the battery may heat up and charging could be less efficient.



Direct charging with phone adapter

## [C] Usage Precautions

1. When using a handheld vacuum cleaner with a floor or bed brush, some fabrics may become difficult to move over. In such cases, switching to a brush or crevice nozzle is recommended.
2. Before vacuuming highly polished floors, such as wooden or tiled surfaces, ensure the brush head is clear of debris to prevent scratching.
3. Ensure the dust container and HEPA filter are properly installed before using the vacuum cleaner.
4. Keep the exhaust port unobstructed while operating the vacuum cleaner.
5. Use the vacuum cleaner for fine dusts like flour and decorative particles only when the dust level is minimal.

6. Avoid using the vacuum cleaner to pick up sharp or hard objects, such as toys or paper clips, to prevent damage to both the machine and the flooring.
7. Exercise caution when cleaning potentially hazardous areas like stairs or near windows.
8. Do not place the vacuum cleaner on elevated surfaces, such as tables or chairs, to avoid the risk of falling and causing damage.
9. The movement of the vacuum cleaner's brush on waxed floors may dull the finish. If this occurs, clean the floor with a damp cloth and reapply floor wax as needed.

## **[D] Cleaning Foreign Objects**

1. If the brush nozzle becomes obstructed due to the intake of large foreign objects or excessive hair, it should be cleaned promptly.
2. Ensure the brush nozzle is detached from the vacuum cleaner body before removing any tangled debris. This precaution helps prevent accidental startup, reducing the risk of injury.

## **Accessories Instructions**

**Crevice Nozzle:** Ideal for cleaning narrow spaces such as door frames, window tracks, and stair corners.

**Brush Nozzle:** Best suited for cleaning upholstery, including sofas and seat cushions.

**Hose:** Effective for removing dust from hard-to-reach corners and gaps.

**Filter Cleaning Brush:** Designed to remove dust from the vacuum cleaner's filter screen.

**Wall Hanger:** Facilitates easy placement and storage of the vacuum cleaner.

**Large Blowing Nozzle:** Useful for tasks such as inflating items or blowing away debris in outdoor settings like barbecues, air cushion beds, small kayaks, and swimming rings.

## Care and Maintenance

### [A] General Maintenance

1. Ensure that only original parts are used with the product to maintain eligibility for warranty services.
2. If the filter or suction head becomes clogged, the fan may intermittently stop working. It is essential to clean both components promptly to ensure continuous operation.
3. If the product will not be used for an extended period, disconnect the power adapter after fully charging the battery.
4. Store the device in a cool, dry place away from direct sunlight and moisture.
5. To prevent battery over-discharge, charge the battery at least once every three months.

### [B] Cleaning the Body

Wipe the body with a soft, dry cloth. Avoid washing with water.

### [C] Cleaning the Dustbin

1. Before cleaning the dustbin, ensure the vacuum cleaner is powered off. If the dustbin is overly full, it can impair the vacuum's performance. Clean the dustbin promptly before further use.
2. To remove the contents, rotate and lift the lid at the edge of the dustbin, allowing you to pour out the garbage directly.
3. Press the release button to detach the dustbin. Hold it at a 45-degree angle to remove the HEPA filter.
4. Rinse the dust container with clean water. Regular cleaning, at least once a month, is recommended. If the conductive contacts are dirty, they should be cleaned using a soft, dry cloth.

**Caution:** Do not use detergents, polishes, or air fresheners on the dust container. Additionally, the dust container should not be cleaned in a dishwasher.

## Cleaning the Filter

We recommend performing a cleaning routine for the filter at least once a month.

1. Before beginning, ensure the vacuum cleaner is disconnected from the power adapter and that it remains switched off throughout the cleaning process.
2. Press the release at the bottom of the dustbin to detach it.
3. Extract the filter from the dustbin.
4. Thoroughly rinse the filter with cold water. After rinsing, gently shake the filter to remove excess water.
5. Allow the filter to air-dry completely for at least 24 hours.
6. Once dry, reinsert the filter into the dustbin.

### **Caution:**

Do not wash the filter in a dishwasher or washing machine. Avoid drying the filter using a tumble dryer, oven, microwave, or any direct sources of hot air or open flames.

## Specifications

Battery Capacity	7800mAh (2600mAh*3)
Battery Voltage	11V
Rated Power	110W
Charging Port	Type-C
Recharge Time	5 hours
Working Time	35 Minutes (Low Gear), 10 Minutes ( High Gear)
Dust Bin Capacity	680ml
Noise Level	65-75dB
Filter	Washable HEPA Filter
Function	Vacuum Cleaner & Air Duster
Net Weight	910 g

## Troubleshooting

If the vacuum cleaner does not operate correctly, please consult the following troubleshooting methods.

<b>Problem</b>	<b>Solution</b>
Does not start operating.	<ol style="list-style-type: none"><li>1. Check if the switch button was not pressed correctly. Press the switch once more.</li><li>2. The battery is depleted or low. Recharge the vacuum cleaner before attempting to turn it on again.</li><li>3. The power socket does not provide electricity. Connect the charger to an active socket.</li><li>4. The charging cord is still connected. Disconnect it before turning on the vacuum cleaner.</li></ol>
The suction has weakened.	<ol style="list-style-type: none"><li>1. The vacuum cleaner has insufficient power. Fully charge it before use.</li><li>2. The filter contains moisture. Allow the HEPA filter to dry completely before use.</li><li>3. The dust collector is full or the HEPA filter is blocked. Clean both components before operating the vacuum cleaner.</li><li>4. The brush head is obstructed. Clear any blockages from the brush head.</li><li>5. The filter has aged or ventilation is insufficient. Replace the filter to restore proper airflow.</li></ol>

## **Warranty**

Products that you buy directly from our **Porodo** website or shop come with a 24-month warranty.

When you buy **Porodo** products from any of our approved sellers, you only get a 12-month warranty. If you want to extend this warranty, go to our website at **porodo.net/warranty** and fill out the form with your information. Don't forget to upload a picture of the product too. After we've checked and accepted your request, we'll send you an email to confirm that your product's warranty has been extended.

For more info, please check:  
**porodo.net/warranty**

## **Contact Us**

If you have any questions about this Privacy Policy, please contact us at:

**info@porodo.net**

Website: **porodo.net**

Service Support: **support@porodo.net**

Instagram: **porodo**