

PORODO



Porodo

50W Dual Port Car Charger

SKU: PDCC50W

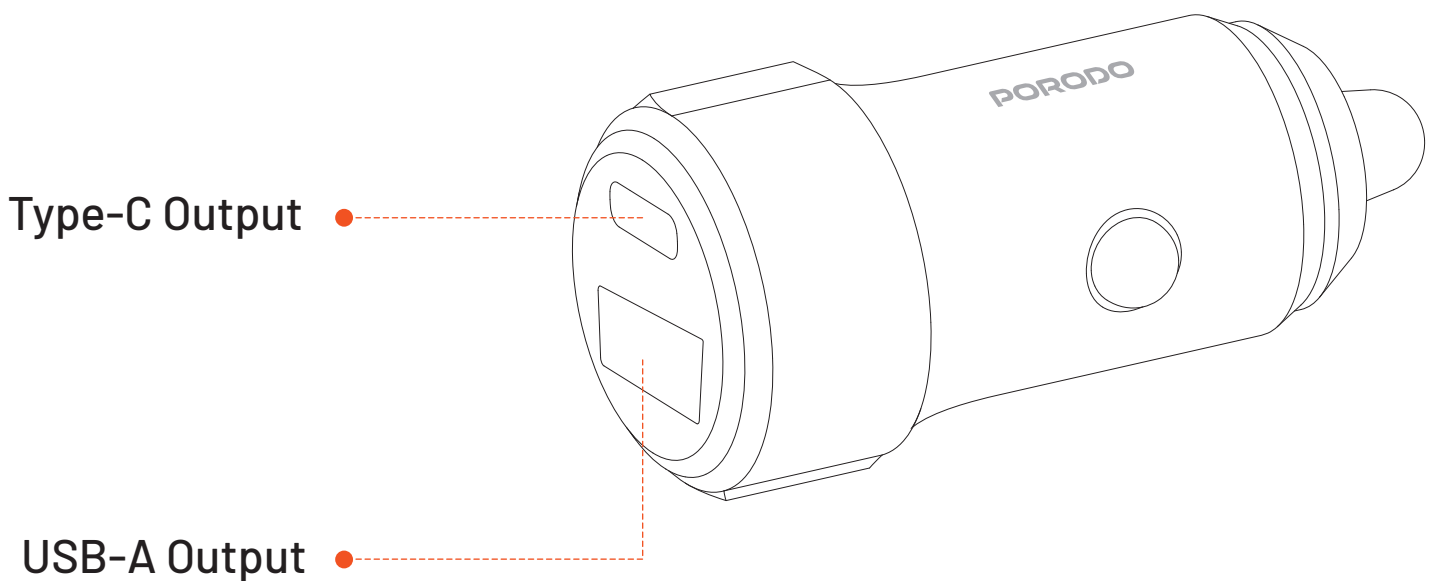
Table of Contents

Specifications	2
Product Diagram	2
Function Description	3
User Instructions	3
Precautions	3
Tips	4
Disposal Instructions	4
Warranty	5
Contact Us	5

Specifications

Material	ABS + PC
Input	12-24V
Total Output	50W
USB-C Output	5V/3A, 9V/2.2A, 12V/1.67A 20W
USB-A Output	5V/3A, 9V/3A, 12V/2.5A 30W
Product Size	24 x 24 x 53.5mm
Weight	18.4g

Product Diagram



Function Description

- 1.** The car charger is compatible with a wide range of fast charging protocols, including QC3.0, PD2.0, FCP, QC2.0, and Apple.
- 2.** The charger is equipped with both USB-A and Type-C ports, enabling you to charge two devices simultaneously.
- 3.** The device includes comprehensive safety features such as over-current, over-voltage, short-circuit, over-temperature, over-power, and under-voltage protection to ensure safe operation.

User Instructions

- 1.** Insert the dual-port car charger into the cigarette lighter socket of your vehicle.
- 2.** Connect one end of the charging cable to the charger's output port and the other end to the device you wish to charge.

Precautions

- 1.** Ensure the car engine is running before using the car charger to begin charging.
- 2.** Only use the car charger with devices that match its power capacity to prevent potential damage from overcharging.
- 3.** For safety, avoid using the charger in humid conditions or during thunderstorms.
- 4.** Do not clean the charger with harsh chemicals, strong cleaning agents, or abrasive materials, as they may damage the product.
- 5.** Always unplug the charger after use to ensure safety.
- 6.** As an electronic product, avoid dropping or subjecting the charger to impacts or collisions, which could cause damage.

Tips

1. Always read all instructions and precautions before using this product. Improper use may result in damage to the product or pose a safety risk to you.
2. Any personal or property damage caused by misuse or failure to follow the product manual will be the responsibility of the user. The company will not be held liable for such damages.
3. This product supports fast charging. For optimal performance, we recommend using an official or certified charging cable to ensure the best charging experience.

Warning: Please follow the safety instructions above. Failure to do so may result in fire, electric shock, or other injury.

Disposal Instructions



This equipment complies with the provisions of Directive 19/2012/EU. It is strictly prohibited to dispose of this equipment with general waste. It must be recycled. This symbol indicates that the product should not be disposed of as regular household waste and must be delivered to the appropriate waste recycling facility capable of processing electrical and electronic equipment.



Warranty

Products that you buy directly from our **Porodo** website or shop come with a 24-month warranty.

When you buy **Porodo** products from any of our approved sellers, you only get a 12-month warranty. If you want to extend this warranty, go to our website at **porodo.net/warranty** and fill out the form with your information. Don't forget to upload a picture of the product too. After we've checked and accepted your request, we'll send you an email to confirm that your product's warranty has been extended.

For more info, please check:
porodo.net/warranty

Contact Us

If you have any questions about this Privacy Policy, please contact us at:

info@porodo.net

Website: **porodo.net**

Service Support: **support@porodo.net**

Instagram: **porodo**