



GREEN LION



Green Lion

**DIWAN
Bakhour Burner**

SKU: GNDIWBAKHBK

Model No: GBR-26

Table of Contents

Warnings	2
Protection Mode	3
Product Introductions	4
Device Parts	4
Important Safety Warnings	5
Placing Incense	5
Operating the Product	6
Automatic Cool Down	7
Indicator Light	7
Storage	8
General Safety Instructions	8
Battery Safety	9
Specifications	10
Disposal	11
Warranty	11
Contact Us	11

Warnings

1. This product contains a heating element that can heat up to 700°C. DO NOT touch the heating element with any part of the body or material other than the supplied mesh material.
2. This product contains Lithium Ion batteries. Take proper precautions when handling Lithium Ion batteries.
3. The appliance is only to be used with the recommended vaporizing medium. The use of other substances may give rise to a toxic or fire risk.
4. DO NOT leave the product in high temperature or damp conditions.
5. DO NOT use the product when there is flammable gas in the air.
6. This product includes small parts; please keep it out of reach of children and pets.
7. This product is NOT waterproof; please keep it dry.
8. DO NOT drop, throw, or abuse this product.
9. NEVER attempt to repair this product yourself.
10. DO NOT use the product while driving.

Failure to follow these instructions will void the warranty, and can result in severe or permanent damage to the battery or product, or in the worst case can cause serious personal injury or lead to fire.

Quick Start Guide:

Fully charge the product before first use.

Open the outlet at the front.

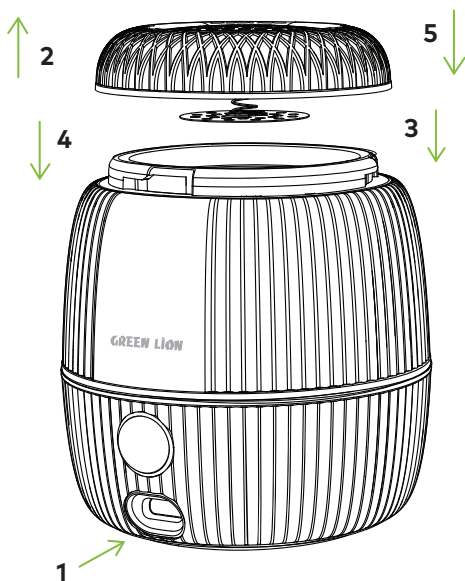
Place incense.

Close the outlet.

Press and hold the on/off switch for 2 seconds.

Wait 3 seconds for smoke to start.

To shut down: press and hold for 2 seconds in the boot situation.



Note:

During use, if the indicator light of the unit flashes red, it means that the product is of low power and needs to be charged in time to keep the battery sufficient. If the product is damaged or other problems are caused by the user's failure to charge in time for a long period, the manufacturer will not be responsible for it.

Protection Mode

(1) After 120 seconds of continuous operation, the device will automatically shut down and can be restarted after 30 seconds.

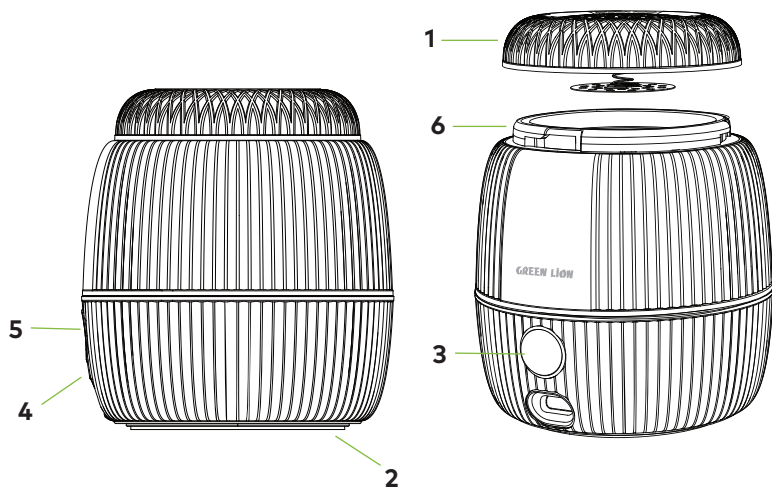
(2) In intermittent work, if the internal temperature exceeds 90°C, the device will automatically shut down and can be restarted after 30 seconds.

(3) Be careful when opening the outlet, as the remaining product and ceramic can still be hot.

Product Introduction

The product is a stylish and high-quality portable incense burner. Chips are placed inside a ceramic chamber with a heating element that heats up to the same temperature as charcoal (400–450°C). Because the heating element does not use a flame, the smoke keeps its original high-quality scent, making the incense burner faster and easier to use than traditional methods while maintaining the traditional high-quality smoke of incense.

Device Parts



1. Outlet
2. Air inlet
3. Indication light
4. Micro USB charger
5. On/off switch
6. Incense chamber

Important Safety Warnings

1. The content of this product will heat up and may remain hot after use. DO NOT touch the outlet, incense chamber, or any items near the heating element with your fingers.
2. DO NOT use the product without the outlet connected to the front of the product.
3. When using the product, make sure the outlets are at a safe distance of at least 20 cm from any body parts, including hair and clothing items.
4. Keep the product away from any flammable fabrics or materials, including but not limited to clothing, scarves, etc.
5. This product will cool down automatically for 30 seconds after being used for 120 seconds. DO NOT interrupt the cooling down process.
6. Never cover the product with anything until it is completely cooled down, with a minimum of 30 seconds after last use, as it might still retain heat or be glowing.
7. ALWAYS refill the product with new incense at each use. DO NOT use the same incense pieces more than once.

Failure to follow these instructions will void the warranty and can result in severe or permanent damage to the battery or product, or in the worst case, can cause serious personal injury or lead to fire.

Placing Incense

1. Open the outlet as indicated.
2. Place incense inside the product, ensuring proper placement for burning and creating a good smell. Keep the incense at an optimal distance from the heating element for best smoke quality.

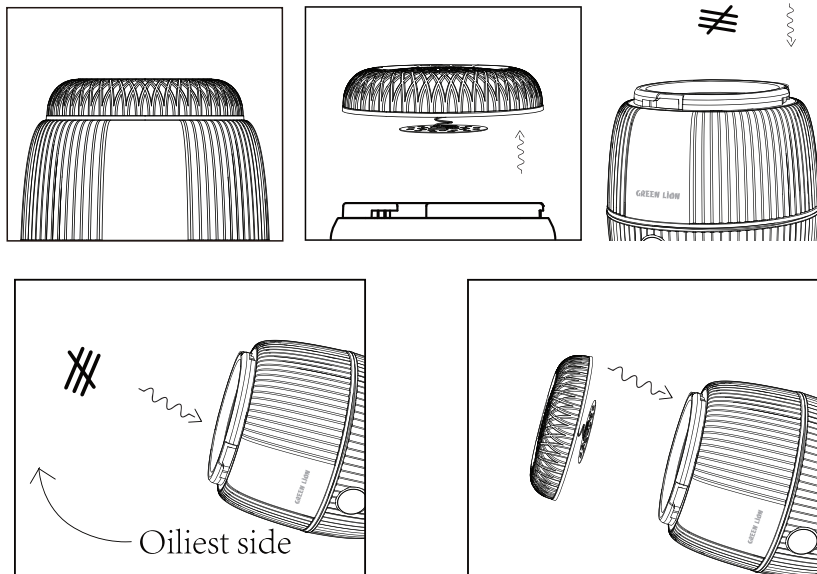
Tips:

Small pieces of incense reduce the heat-up time.

Do not overfill or pack the incense too tightly. This will limit airflow and reduce smoke generation.

The type and quality of incense influence the amount of smoke.

3. Place the outlet back on the product.



Operating the Product

1. The fan will push out the smoke in pulses (turning ON for the product, 3 seconds ON and OFF for 2 seconds).

2. For the best performance, hold the product under the angle of 0° with the outlet tilting up. Avoid using the product vertically.

3. Turn off for 60 seconds at boot time.

Automatic Cool Down

1. After being used for a total set time, the product will automatically cool down for 30 seconds. The power and fan of the heating element will turn OFF.
2. For added safety, a sensor inside the casing will start a cool down sequence if the temperature rises too much. During cool down, the product cannot be turned ON and it is not needed to hold the on/off switch. Be careful that the air inlet and outlet are not obstructed during cool down.

Note: When the product is used repeatedly over a short period, the cool down function should still be activated.

Indicator Light

1. Green light: Product is ON; heating element and fan are ON.
2. Green slow pulsing: Product is cooling down; heating element and fan are OFF.
3. Red fast pulsing: Product is charging.
4. Red light: Product charging.
5. When the product is charged, the LED is bright green and so on. It is best to continue charging for 30 minutes to ensure that the product has been fully charged.
6. Red/Green light fast: Error detected, and product will shut down. Maintenance is required. Always keep the product OFF.

Cleaning:

The product or any part of it cannot be cleaned in the dishwasher. Doing so will cause damage to the product.

DO NOT use water or cleaning detergents inside the incense chamber. Doing so can damage the heating element.

Use the included cleaning brush or tweezer to clean any remaining material from the incense chamber.

Use the included cleaning brush and tweezer to clean the holes in the mesh material. The mesh material, outlet, and push unit can be removed from the product to be cleaned individually. Do not lose the mesh material. DO NOT clean the heating element itself. This will NOT improve performance and might damage the product.

DO NOT use your fingers when cleaning the product or its parts.

Storage

1. Before storing the product, ALWAYS ensure it is turned off.
2. Store the product at room temperature, ideally between 40°F/5°C and 80°F/25°C, for optimal results.
3. Store the product in a cool, dry place.
4. NEVER store the product in any location directly exposed to high temperatures, such as near an open flame, heater, outdoor vehicle, garage, or in the sun.
5. Keep the product out of reach of children and pets.

General Safety Instructions

·ONLY use a 5V adapter to charge the product.

·Fully charge a completely empty battery; this takes 2 hours.

·ALWAYS inspect the product to ensure there are no signs of damage, deformity, or swelling before charging.

If there is, do not continue charging the battery and follow the proper procedures to dispose of the product.

·ALWAYS store the product in a fireproof environment and away from combustible materials.

·NEVER charge batteries unattended. Always remain in constant observation distance of the charging process to react to potential problems that may occur.

·NEVER charge a deformed, swollen, or ballooned product.

Continuing to charge a battery that has begun to swell will result in a fire. Follow these steps if you see any deformity on the product:

1. STOP the charging process by unplugging the charger.

2. Remove the product from the indoor charging space.

3. Place it in an open, non-flammable area.

4. Watch it for about 30 minutes from a safe distance.

5. Follow proper procedures to dispose of the product.

·Charge your Lithium Ion battery with a good quality, dedicated Lithium Ion battery charger.

A poor-quality charge may not be able to charge or protect your battery properly, and can be dangerous.

·Charge at room temperature of: 32°F to 113°F/0°C to 45°C.

oDischarge in an environment temperature of: 32°F to 140°F/0°C to 60°C.

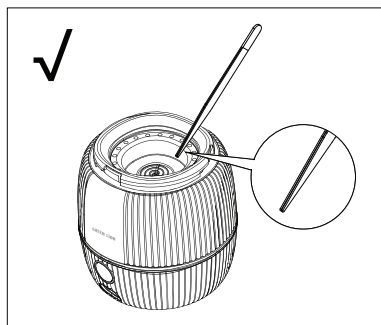
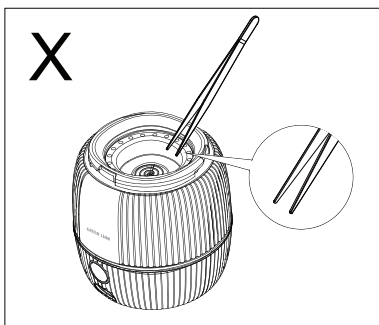
Let the battery cool down to ambient temperature before charging.

During discharge and handling of batteries, the battery must not exceed 160°F/70°C.

Battery Safety

·Rechargeable Lithium Ion batteries do not last indefinitely.

When the battery has lost 20% of its initial capacity, the 4 batteries do not last indefinitely and need to be disposed of properly.



Specifications

Model No.	GBR-26
Material	ABS
Battery	1500mAh
Power	10W
Voltage	5V
Heating Temperature	250-300°C
Charging Port	Type-C
Charging Time	2-3 Hrs
Single Burning Time	120 sec
Burning Cycle	8-10 Times Per Charge
Product Weight	320 g
Product Dimensions	83*110*125 mm

Disposal

This product must not be disposed of as unsorted household waste. It is important to separate such waste for proper treatment and recycling, in compliance with local waste management regulations.

Warranty

Products that you buy directly from our **Green Lion** website or shop come with a 24-month warranty.

When you buy **Green Lion** products from any of our approved sellers, you only get a 12-month warranty. If you want to extend this warranty, go to our website at <https://www.greenlion.net/warranty> and fill out the form with your information. Don't forget to upload a picture of the product too. After we've checked and accepted your request, we'll send you an email to confirm that your product's warranty has been extended.

For more info, please check:
<https://www.greenlion.net/warranty>

Contact Us

If you have any questions about this Privacy Policy, please contact us at:

Website: <https://www.greenlion.net/>

Sales: sales@greenlion.net

Service Support: Support@greenlion.net

Telegram: [@greenlion_global](https://t.me/greenlion_global)

Instagram: [@greenlion_global](https://www.instagram.com/greenlion_global)