

PORODO



Porodo

**MULTI-SURFACE
Vacuum Suction Phone Holder**

SKU: PDMGPM2216

Table of Contents

Product Overview	2
Specifications	2
Key Features	3
Schematic View and Description	4
Usage Instructions	5
Safety Precautions	6
Disposal	7
Warranty	7
Contact Us	7

Product Overview

The Porodo Multi-Surface Vacuum Suction Phone Holder is the perfect solution for keeping your phone secure and within easy reach. Featuring a powerful vacuum suction, it ensures a firm, stable grip on any smooth, flat surface, making it ideal for use in the car, at home, or at the office. This phone holder boasts a 360° rotating mount, allowing you to adjust your phone to the perfect angle for hands-free viewing or use. Its universal compatibility ensures that it works with a wide range of smartphone models, making it versatile and convenient for all users. Whether you need your phone steady for navigation, video calls, or entertainment, the Porodo Multi-Surface Vacuum Suction Phone Holder offers the perfect balance of security, stability, and flexibility, keeping your phone safe and steady wherever you go.

Specifications

Magnet Type	Double-Layer N52
Material	ABS, TPU
Phone Compatibility	4.7" to 6.9"
Product Weight	82g
Model Number	PDMGPM2216

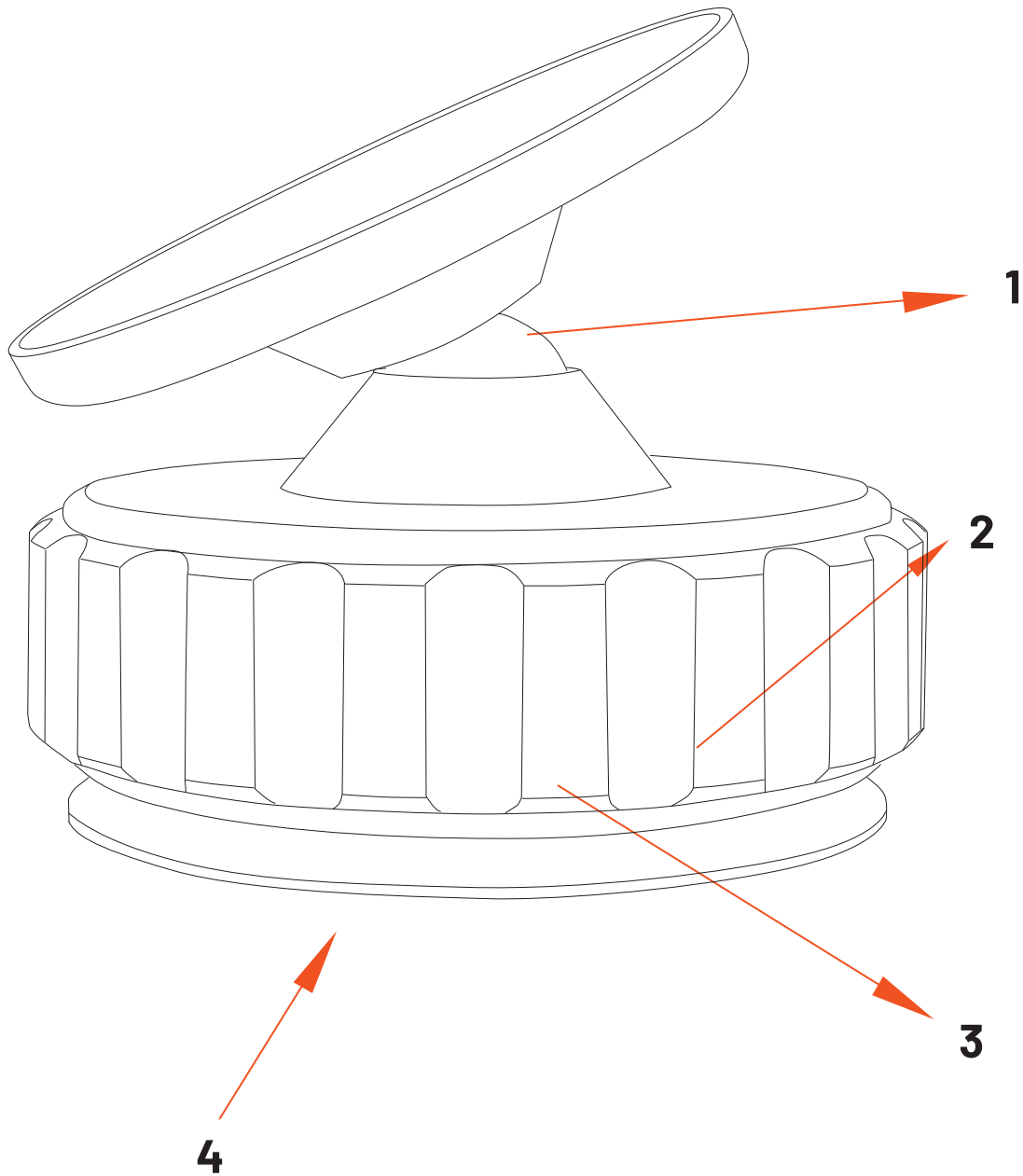
Key Features

The Porodo Multi-Surface Vacuum Suction Phone Holder offers an ideal combination of security, versatility, and convenience. Here are its key features:

- 1. Powerful Vacuum Suction:** The strong vacuum suction provides a firm, secure hold on any smooth, flat surface, ensuring your phone stays in place even during movement. This feature guarantees that your device remains stable, whether you're driving or simply using it in a different setting.
- 2. Rotating Mount:** The mount is fully adjustable, allowing you to rotate your phone 360 degrees for the perfect angle. Whether you're navigating, video calling, or watching media, this feature ensures you always have the best view.
- 3. Universal Compatibility:** Designed to work with a wide variety of smartphones, this phone holder is compatible with most models and sizes, making it a versatile option for anyone. It ensures a perfect fit for your phone, regardless of brand or design.
- 4. Multi-Surface Design:** Whether you need to use it on your car dashboard, office desk, or kitchen counter, the multi-surface design allows it to attach to any smooth, flat surface securely. The versatility of this feature ensures the holder can be used in various settings without compromising on its performance.
- 5. Durability and Stability:** Crafted with high-quality materials, the Porodo Multi-Surface Vacuum Suction Phone Holder is built to last, providing consistent suction power and ensuring the phone remains steady in place for extended periods.

This holder is ideal for those who require a hands-free solution that provides both security and flexibility, regardless of the environment or situation.

Schematic View and Description

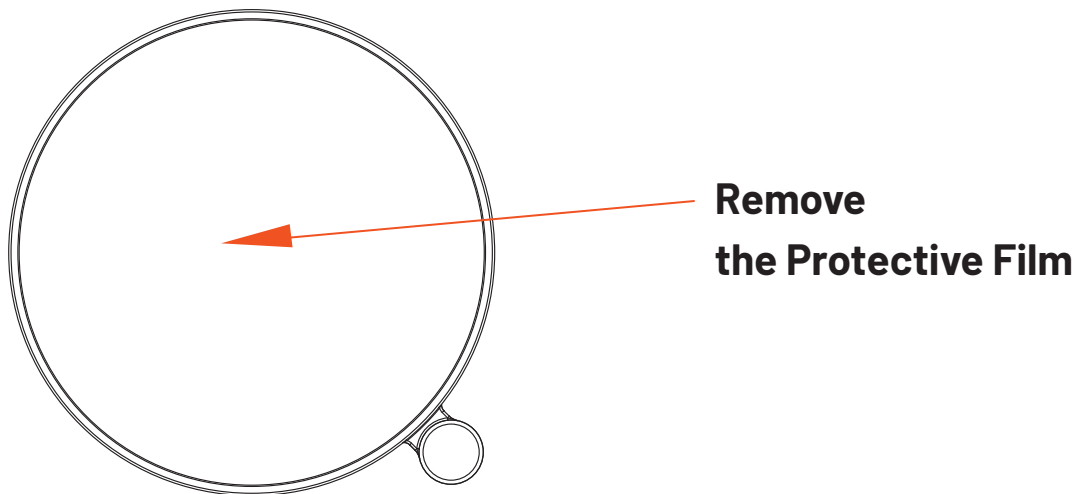


- 1. Rotation Mechanism: 360° Rotation:** The base allows for a full 360-degree rotation, providing flexibility in adjusting the angle.
- 2. Unlocking the Cap:** Rotate the cap counterclockwise to unlock the cap.
- 3. Lock the Cap:** Rotate the cap clockwise to lock the product.
- 4. Striped Large Rotating Cap:** The large cap with a striped texture allows for easy grip during rotation, ensuring a secure and firm handling.

Usage Instructions

1. Remove the Protective Film:

Before using the phone holder, carefully peel off the protective film from the suction cup to ensure proper suction.



2. Prepare the Surface:

Ensure the surface where you plan to mount the phone holder is clean, dry, and smooth. Avoid textured or uneven surfaces for optimal suction.

3. Position the Phone Holder:

Place the suction cup onto the desired surface. Ensure the suction is applied evenly across the surface.

4. Activate the Suction:

Press down firmly on the holder to activate the vacuum suction. This will ensure a strong, secure hold on the surface.

5. Adjust the Viewing Angle:

Rotate the holder to adjust the viewing angle of your phone. The 360° rotating mount provides full flexibility for positioning your phone.

6. Place Your Phone:

Simply place your phone on the magnetic pad. It is universally compatible, so it should work with most phone models.

7. Remove the Holder:

To remove the holder, gently pull on the suction tab to release the vacuum. Clean and dry the surface before reattaching.

Safety Precautions

- 1.** Always ensure the suction is secure before attaching your phone to prevent accidental falls.
- 2.** Do not apply excessive force when placing or removing the holder from the surface to prevent damage to the suction cup.
- 3.** For optimal performance, use the holder only on clean, smooth, and flat surfaces. Avoid rough, porous, or textured surfaces.
- 4.** Make sure the surface is clean, dry, and free from dust or grease before mounting the holder to ensure strong suction.
- 5.** Ensure the weight of the phone is within the supported range. Do not use the holder with overly heavy devices.
- 6.** Periodically check the suction to ensure it remains secure. Remove the holder if it shows signs of weakening suction or if the surface is exposed to extreme heat.
- 7.** Do not expose the suction cup to high temperatures (e.g., in direct sunlight for extended periods) as it may weaken the suction.
- 8.** Keep the phone holder and its components away from young children to prevent accidental ingestion or injury.
- 9.** Always use the suction tab to safely release the holder from the surface to avoid damaging the suction cup or surface.
- 10.** Inspect the suction cup regularly for any wear or damage. Replace the holder if the suction cup becomes damaged or deformed.
- 11.** Do not attempt to repair, puncture, or disassemble the phone holder. Tampering with the product may damage it, compromise its functionality, and void any warranties.

Disposal

This product must not be disposed of as unsorted household waste. It is important to separate such waste for proper treatment and recycling, in compliance with local waste management regulations.

Warranty

Products that you buy directly from our **Porodo** website or shop come with a 24-month warranty.

When you buy **Porodo** products from any of our approved sellers, you only get a 12-month warranty. If you want to extend this warranty, go to our website at **porodo.net/warranty** and fill out the form with your information. Don't forget to upload a picture of the product too. After we've checked and accepted your request, we'll send you an email to confirm that your product's warranty has been extended.

For more info, please check:
porodo.net/warranty

Contact Us

If you have any questions about this Privacy Policy, please contact us at:

info@porodo.net

Website: **porodo.net**

Service Support: **support@porodo.net**

Instagram: **porodo**