

PORODO



Porodo

VACUUM and ADHESIVE Magnetic Car Mount

SKU: PDCK109BK

Table of Contents

Product Overview	2
Specifications	2
Package Contents	3
Plate Setup	3
Installation Guide	5
Important Usage Instructions	6
Safety Precautions	7
Disposal	8
Warranty	8
Contact Us	8

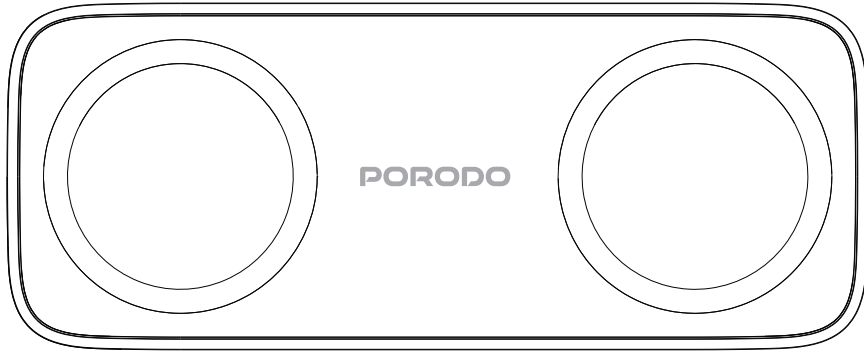
Product Overview

The Porodo Vacuum & Adhesive Magnetic Car Mount is a premium phone holder designed to offer maximum security and flexibility while driving. With its strong magnetic hold, it ensures your phone stays securely in place, even during bumpy rides. Featuring a dual phone holder design, it can hold two phones at once, making it perfect for multitasking. The mount allows for full 360° rotation, giving you the freedom to adjust your phone to any angle for optimal viewing and access. Its vacuum and adhesive base ensures a stable mount on any smooth surface, providing both easy installation and removal. The adjustable arm and rotatable ball joint further enhance its flexibility, allowing you to customize the positioning and angle of your phone for the most comfortable and convenient experience. The bendable arm flexibility offers even more versatility, ensuring the perfect fit for your needs. Whether you're using it for navigation, music, or hands-free calls, this car mount offers a safe, practical, and durable solution for your phone while driving.

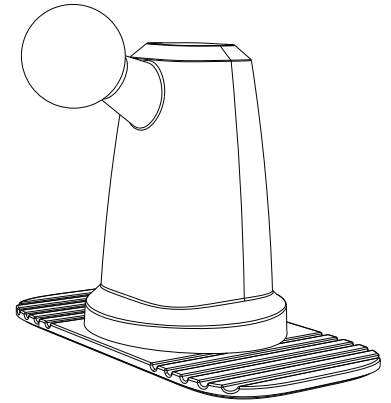
Specifications

Magnet Type	N52
Loading Weight	350g
Product Size	52.6 x147.3x213.7mm
Product Weight	226g
Mount Types	Vacuum Suction Cup & Nano-Adhesive Stand
Model Number	PDCK109

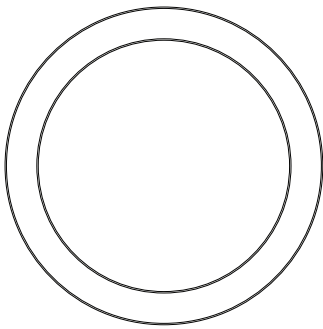
Package Contents



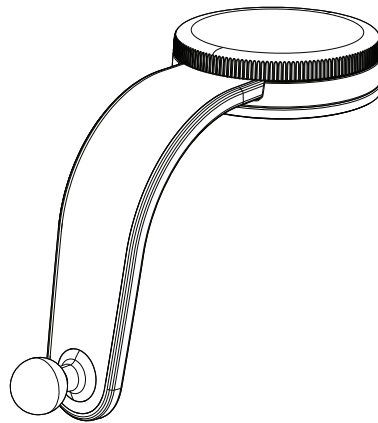
Magnetic Phone Holder



Rotatable Phone Mount



Metal Plates X 2



Flexible Phone Mount



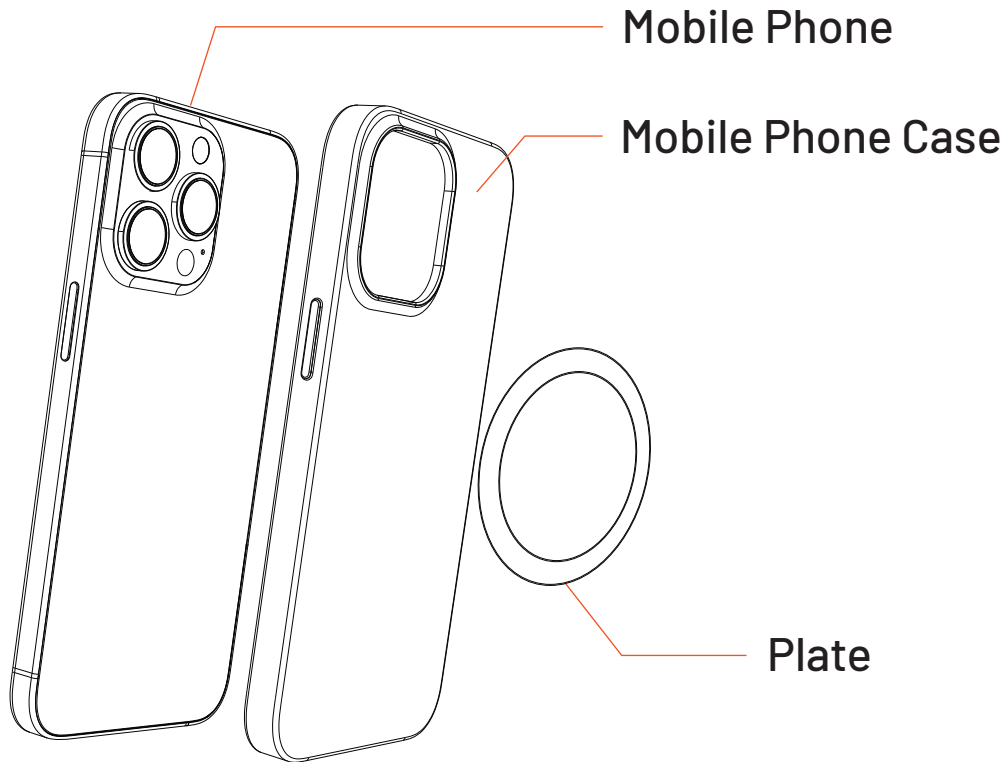
Cleaning Accessories

Plate Setup

A. For Non-MagSafe Phone Cases

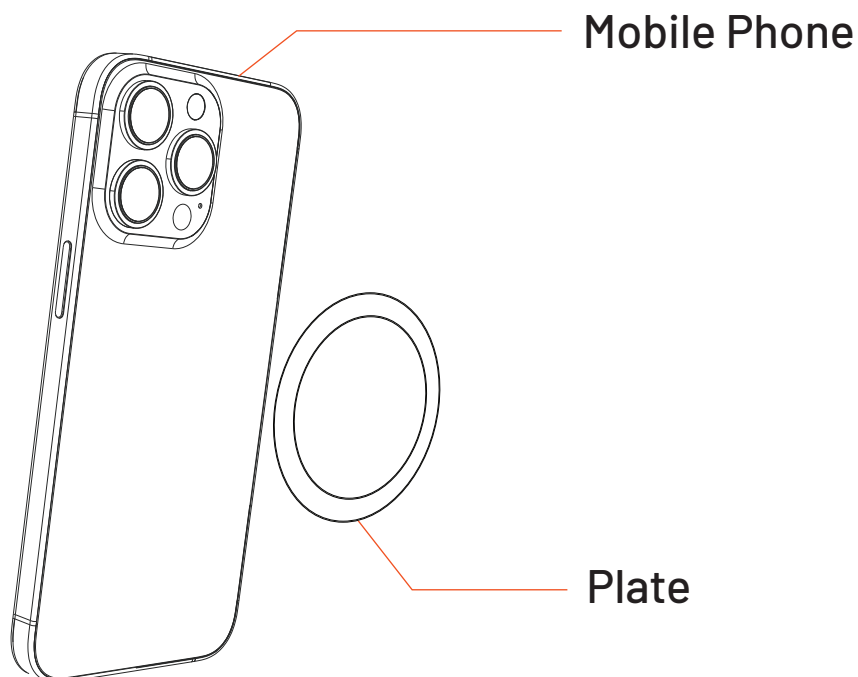
1. Clean the phone case thoroughly. Ensure the surface is free from dirt and oils before applying the plate.
2. Stick the metal plate at the center of the phone case, making sure it is properly aligned.
3. Allow the adhesive to fully bond before using the magnetic plate to ensure it stays securely attached.

Note: Silicone or TPU phone cases are not compatible with this setup.



B. For Mobile Phones (Other than iPhone 12-16 Models)

- 1.** Ensure the back of the phone is clean and dry before applying the plate.
- 2.** Place the metal plate at the center of the phone's back.
- 3.** Wait for the adhesive to set properly before using the magnetic plate.



Installation guide

You can either use the Flexible Phone Mount or the Rotatable Phone Mount.

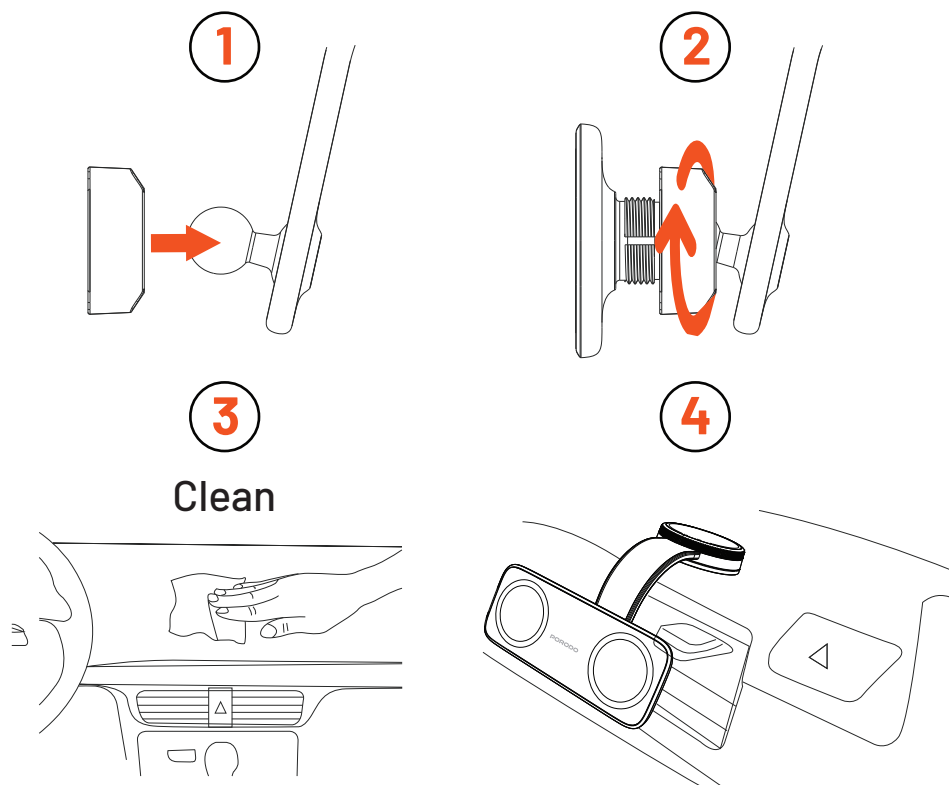
- Recommended Usage Locations:

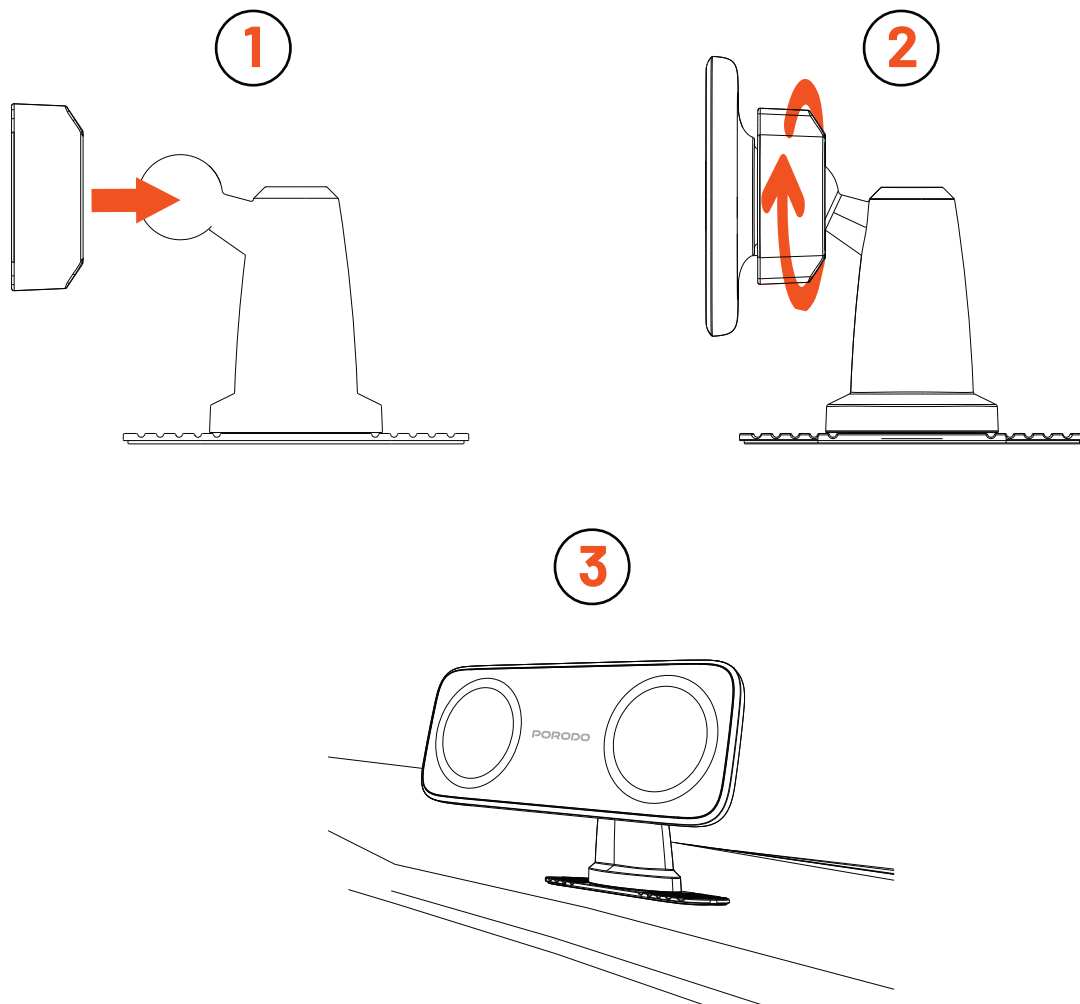
- a. Center console dashboard
- b. Behind the control panel

- Choose the location and then follow these steps:

1. Attach the Nut to the Ball Joint: Secure the nut to the ball joint, ensuring a tight fit for stability.
2. Connect the Magnetic Mount: Attach the magnetic mount ball socket to the ball joint and tighten the nut securely.
3. Clean the Surface: Clean the desired mounting area with the provided wipe and allow it to dry completely.
4. Adjust and Install the Mount: Adjust the bendable arm to your preferred angle. Peel off the protective film from the self-adhesive tape, then press the mount firmly into place. Wait 24 hours for the adhesive to bond properly before use.

Note: You can either use the Flexible Phone Mount or the Rotatable Phone Mount.





Important Usage Instructions

- 1. MagSafe Compatibility:** This product is compatible with iPhone 12 and later models that feature MagSafe. If you are using an iPhone with a non-MagSafe case or an Android phone, please attach the included Metal Plate for optimal performance. Please note that using non-MagSafe cases may reduce the magnetic strength of the holder.
- 2. Surface Preparation:** Before attaching the self-adhesive bendable arm, ensure that the surface is thoroughly cleaned using the provided Cleaning Accessories. The surface must be dry to allow for proper adhesion. After installation, allow 24 hours for the adhesive to fully set before use.
- 3. Bendable Arm Handling:** The bendable arm has been tested to withstand up to 200 bends. To maintain its integrity, avoid excessive bending within a short time period. Frequent or sharp bends could affect the functionality of the arm.

- 4. Rotation Precautions** The rotating arm is designed to withstand up to 2000 rotations. However, it is important to avoid excessive rotation within a short time frame, as this could compromise the arm's performance and longevity.
- 5. Avoid Extreme Angles:** Please refrain from folding the bendable arm to nearly a 180-degree angle, as this could damage its structure and impact its durability.

Safety Precautions

- 1.** Clean and dry the surface thoroughly before applying the mount. Ensure the adhesive is firmly attached to avoid accidental detachment while driving.
- 2.** Only use the mount to hold devices that are within the specified weight limit. Overloading the mount can lead to it detaching or damaging your device.
- 3.** Mount the car holder in a location that does not obstruct the driver's visibility or interfere with vehicle controls.
- 4.** Avoid attaching the mount to wet, oily, or dirty surfaces, as this can reduce the effectiveness of the adhesive.
- 5.** Ensure that your phone or device is properly secured to the mount before starting the car to prevent it from falling or shifting during movement.
- 6.** Over time, the adhesive may lose its effectiveness. Periodically check the mount to ensure it is still securely attached.
- 7.** This mount is designed for phones and similar devices. Do not use it for other heavy or large items that could damage the mount or your vehicle.
- 8.** Prolonged exposure to extreme heat or cold may affect the adhesive's performance. Avoid placing the mount in areas with high direct heat or freezing conditions.
- 9.** When adjusting the mount's 360° rotation, do so gently to avoid damaging the mechanism.
- 10.** Avoid using the adhesive mount on glass surfaces or windshields, as it may not adhere properly and could result in damage.

Disposal

This product must not be disposed of as unsorted household waste. It is important to separate such waste for proper treatment and recycling, in compliance with local waste management regulations.

Warranty

Products that you buy directly from our **Porodo** website or shop come with a 24-month warranty.

When you buy **Porodo** products from any of our approved sellers, you only get a 12-month warranty. If you want to extend this warranty, go to our website at **porodo.net/warranty** and fill out the form with your information. Don't forget to upload a picture of the product too. After we've checked and accepted your request, we'll send you an email to confirm that your product's warranty has been extended.

For more info, please check:

porodo.net/warranty

Contact Us

If you have any questions about this Privacy Policy, please contact us at:

info@porodo.net

Website: **porodo.net**

Service Support: **support@porodo.net**

Instagram: **porodo**