



GREEN LION



Green Lion

**GX-43 MAGSAFE
Cup Phone Holder**

SKU: GNMGCU43HLBK

Model No: GX-43

Table of Contents

Overview	2
Specification	2
Installation Guide	3
Using the metal ring	5
Disposal	5
Warranty	6
Contact Us	6

Overview

The Green Lion GX-43 MagSafe Cup Phone Holder offers a versatile and secure solution for hands-free phone use in your vehicle. Designed with a twist-lock mechanism, it fits cup holders ranging from 3.0" to 4.0" in diameter. The sturdy telescopic arm extends up to 10.5" for optimal positioning, while the anti-slip silicone pad ensures a stable grip. With powerful N55 magnets, this holder is perfect for MagSafe-enabled devices, providing a clear line of sight for distraction-free driving. Its universal compatibility and adjustable height make it a reliable choice for a wide range of vehicles and devices.

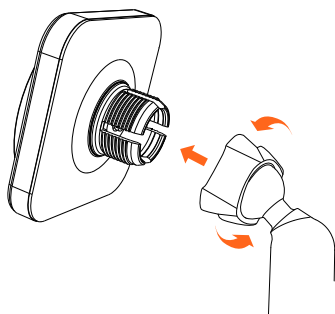
Specifications

Model No	GX-43
Material	ABS+PC+Aluminum Alloy
Magnets	N20*55 pcs
Adsorption Force	2.3–2.5 kg
Cup Holder Fit Size	3.0" – 4.0"
Adjustable Height	21.5–26.8 cm
Product Weight	315.7 g
Product Dimensions	75.3×88.4×247.6 mm

Installation Guide

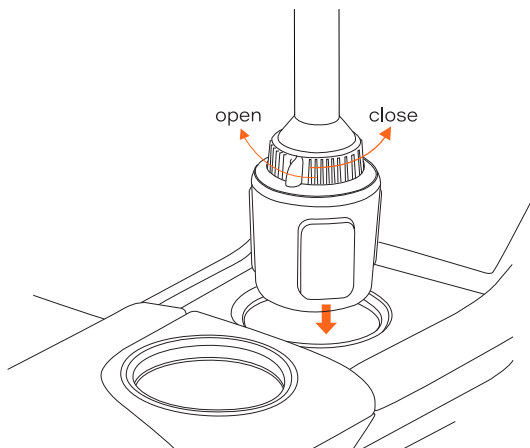
Step 1:

Attach the mounting bracket to the desired location and rotate it to secure it firmly.



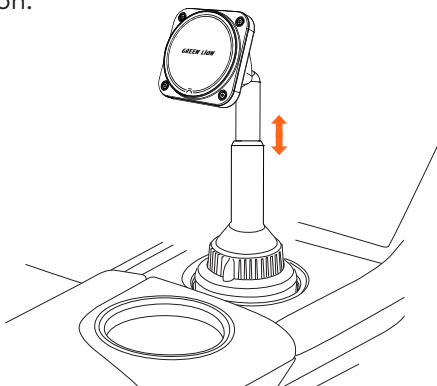
Step 2:

Insert the holder into the cup holder and rotate to adjust the base, ensuring a tight and secure fit.



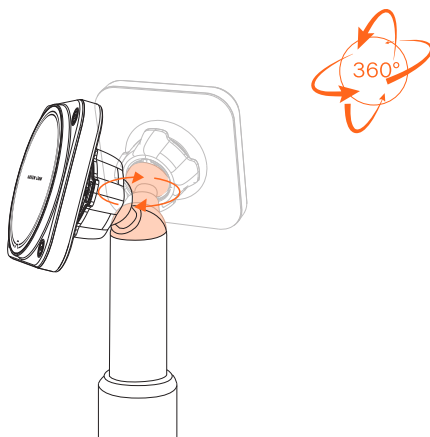
Step 3:

Adjust the height of the holder by raising or lowering it to your preferred position.



Step 3:

Adjust the height of the holder by raising or lowering it to your preferred position.



Using the metal ring

1. For iPhone 16–12 and later models with MagSafe cases.

No metal rings required.

2. For iPhone 16–12 and later models with non-official standard cases.

Place the metal ring exactly at the center (both horizontally and vertically) on the back of your phone case.



Disposal

This product must not be disposed of as unsorted household waste. It is important to separate such waste for proper treatment and recycling, in compliance with local waste management regulations.

Warranty

Products that you buy directly from our **Green Lion** website or shop come with a 24-month warranty.

When you buy **Green Lion** products from any of our approved sellers, you only get a 12-month warranty. If you want to extend this warranty, go to our website at <https://www.greenlion.net/warranty> and fill out the form with your information. Don't forget to upload a picture of the product too. After we've checked and accepted your request, we'll send you an email to confirm that your product's warranty has been extended.

For more info, please check:
<https://www.greenlion.net/warranty>

Contact Us

If you have any questions about this Privacy Policy, please contact us at:

Website: <https://www.greenlion.net/>

Sales: sales@greenlion.net

Service Support: Support@greenlion.net

Telegram: [@greenlion_global](https://t.me/greenlion_global)

Instagram: [@greenlion_global](https://www.instagram.com/greenlion_global)