

LèPRESSO



LePresso

**LIETO Multi-Capsule
Coffee Machine**

SKU: LPLIET

Table of Contents

Safety Precautions	2
Important Notes	4
Unpacking Guide	4
Notes on Using the Machine	5
Product Diagram	5
Before the First Use	6
Compatible Capsule Types	9
Using Nespresso Capsules	10
Using Dolce-Gusto Capsules	13
Using Coffee Powder	14
Energy Saving Mode	16
Clean Mode Function	17
Coffee Volume Setting	18
Factory Default Setting	19
Cleaning and Maintenance	20
Matters Needing Attention	21
Decalcification Guide	22
Important Note	23
Specifications	25
Correct Disposal	25
Warranty	26
Contact Us	26

Safety Instructions

- 1.** Do not immerse the machine or any part of it in water or other liquids.
- 2.** Ensure the machine is connected to a properly grounded power outlet.
- 3.** Always unplug the machine before relocating it, cleaning it, or when it is not in use.
- 4.** Avoid damaging the power cord by never clamping or running it over sharp edges or corners. If the power cord is damaged, it must be replaced by an authorized service center.
- 5.** Never touch the power plug, socket, or the machine with wet or damp hands. Always unplug the machine by removing the plug from the outlet, not by pulling the cord.
- 6.** If you need an extension cord, make sure it is suitable for your machine (3-pole grounded, 1.5mm, 2-conductor, cross-section) and position it safely to avoid tripping hazards.
- 7.** Never operate the machine while it is in operation or under pressure. Ensure the water tank always has enough water before use and never run the machine without water.
- 8.** Avoid touching hot parts of the machine (such as the brew unit) during operation to prevent burns.
- 9.** If the machine has been damaged (e.g., after a fall or with a faulty power cable), do not use it. Please contact the customer service center for repair or inspection.
- 10.** The appliance should be placed on a dry, stable, and level surface, at least 60 cm away from the wash basin and taps.
- 11.** Never place the machine on flammable or combustible surfaces or near any open flames.

- 12.** Ensure the machine and power cable are not positioned within 50 cm of hot surfaces.
 - 13.** Never cover the machine while it is in operation.
 - 14.** Do not place the appliance in a cabinet or enclosed space while in use.
 - 15.** Keep children away from the machine during operation to avoid any accidents.
 - 16.** Prevent tripping by ensuring the power cable does not hang down.
 - 17.** This machine is intended for household use only.
 - 18.** Always unplug the machine and allow it to cool completely before cleaning or performing maintenance.
 - 19.** Replace parts or accessories only with those provided by the manufacturer or a certified service agent to avoid hazards.
 - 20.** This appliance is not intended for use by persons (including children) with reduced physical, sensory, or mental capabilities unless they are under supervision by a person responsible for their safety.
 - 21.** Children must not operate the appliance without adult supervision.
 - 22.** The heating element surface may remain hot after use. Exercise caution to avoid burns.
- Caution:** This appliance is intended for household and indoor use only.
- Warning:** If the supply cord is damaged, it must be replaced by the manufacturer, its service agent or similarly qualified persons in order to avoid a hazard.

Important Notes

- 1.** This appliance is not intended for use by individuals (including children) with limited physical, sensory, or mental abilities, or those who lack sufficient experience and knowledge. Use of this appliance should only occur under the supervision or guidance of a responsible person.
- 2.** Children should always be closely supervised to ensure they do not play with or misuse the appliance.
- 3.** If the power cord is damaged, it must be replaced by the manufacturer, an authorized service center, or a qualified professional to ensure safety.
- 4.** This appliance is designed for household and indoor use only.

Unpacking Guide

Remove your Capsule Coffee Machine from its packaging. After unpacking, verify that the following parts are included: Water tank, Coffee machine, Manual, 2 coffee sinks, Water tray, and Pump.

Note: Ensure that the power supply voltage at your home matches the value indicated on the machine's rating plate. Dispose of all plastic bags safely to protect children from potential harm.

Tip: Retain the original packaging for future transportation, servicing, or relocation of the machine.

Note: You may find some water inside the machine; this is normal as the unit was tested with water before leaving the factory to ensure proper functionality.

Notes on Using the Machine

Before using the machine please note the following:

Caution: Improper handling of electrical appliances can be dangerous and even lethal. Please review the safety precautions outlined in this manual, especially the following:

1. Beware of scalding: Handle hot water with caution.
2. Do not operate the machine with an empty water tank or when the water level is below the minimum mark.
3. Do not open the handle while the machine is brewing.
4. Always unplug the power cord before cleaning the machine.
5. Use the machine only in dry rooms.
6. Wash the water tank thoroughly with dishwashing liquid before using it for the first time.
7. Wipe the body of the coffee machine with a damp cloth. Do not use water to clean the machine.

Product Diagram

A: Lever

B: Operation keys

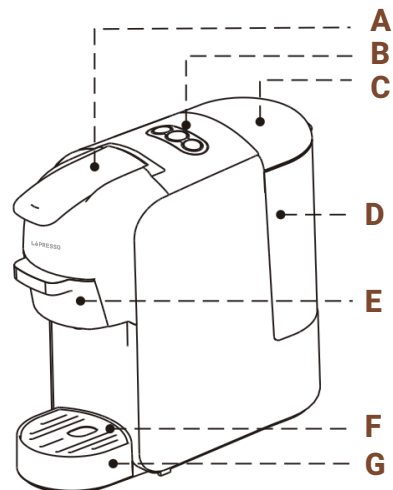
C: Water tank cover

D: Removable water tank

E: Capsule/coffee powder making cavity

F: Removable drip tray

G: Water tray

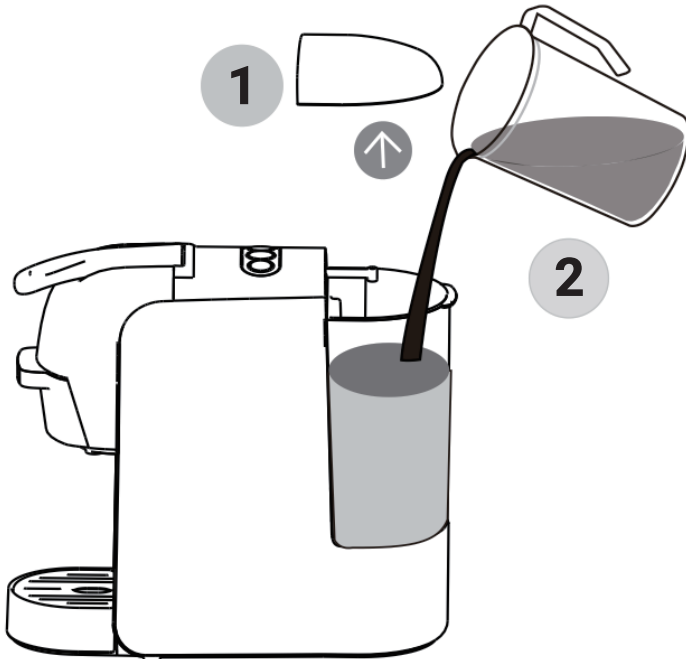


Before the First Use

Before using the machine for the first time, or after extended periods of non-use (e.g., holidays), it is important to flush out the machine. Follow the simple steps below to thoroughly clean the internal piping:

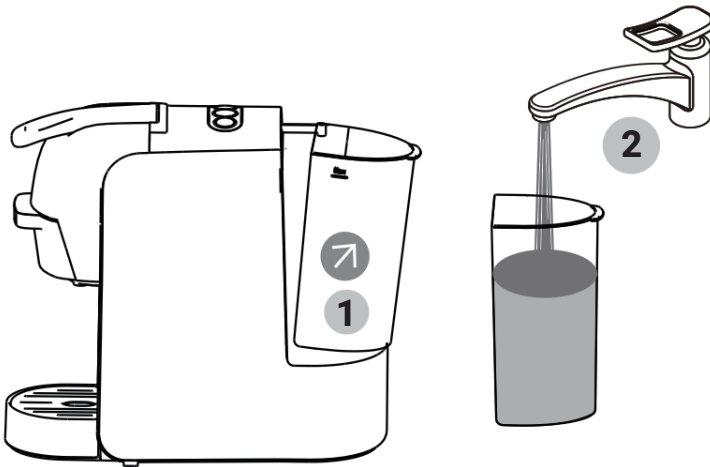
a. Filling the Tank Without Removing It

1. Lift the water tank cover.
2. Fill the tank with cold, fresh water. The maximum water temperature should be 35°C, and the tank's capacity is 0.6 liters.
3. Lower the tank cover back into place.

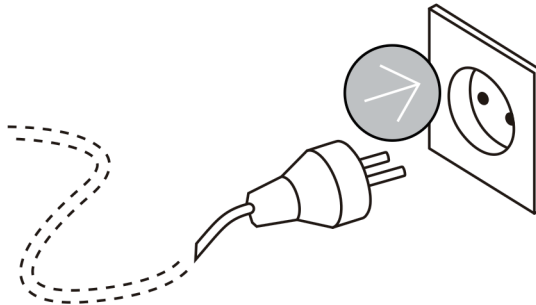


b. Filling the Tank by Removing It

1. Hold the water grip at a tilted angle, as shown in the image, to remove the water tank from the machine.
2. Fill the tank with cold, fresh water. The maximum allowable temperature is 35°C, and the tank has a capacity of 0.6 liters.
3. Reattach the water tank: Slide the tank slowly into the water tank base, ensuring the water tank outlet is properly aligned with the inlet receptacle. Firmly press the water grip to lock the tank in place.

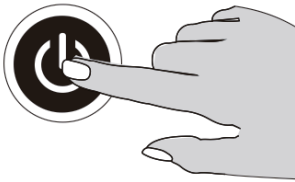


c. Plug the machine into a power outlet.

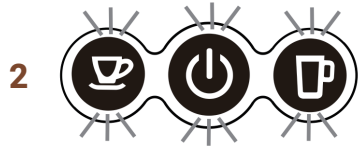


d. Preheating the Machine

1. After filling the water tank, turn on the power by pressing the power switch.
2. Wait approximately 45 seconds. Once the machine has preheated, all three buttons will light up, signaling that the machine is ready to begin making coffee.



Press the on off switch button.

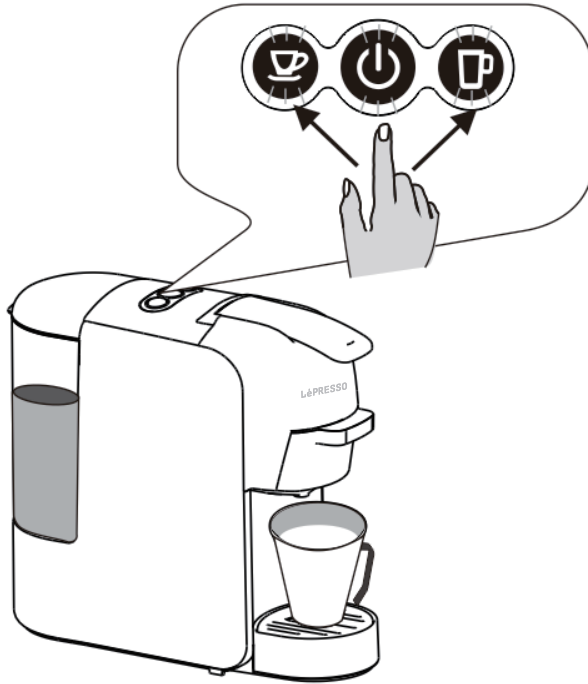


e. Flushing the Machine/Internal Piping

Before using the coffee machine for the first time or after long periods of inactivity, it's important to flush out the internal piping. Follow these steps:

1. Ensure the handle is closed with no capsule inside.
2. Fill the water tank with fresh, cold water (maximum temperature: 35°C).
3. Make sure the water tank is securely in place to prevent leaks.
4. Place a large cup (250ml or larger) under the coffee spout to catch the water.
5. Press the lungo button to start the flush-out cycle. This will clean the internal piping.

6. Once the cycle completes, open the handle to stop the process.
7. Empty the cup to dispose of the flushed water.
8. The flush-out cycle is complete, and the machine is ready for use.



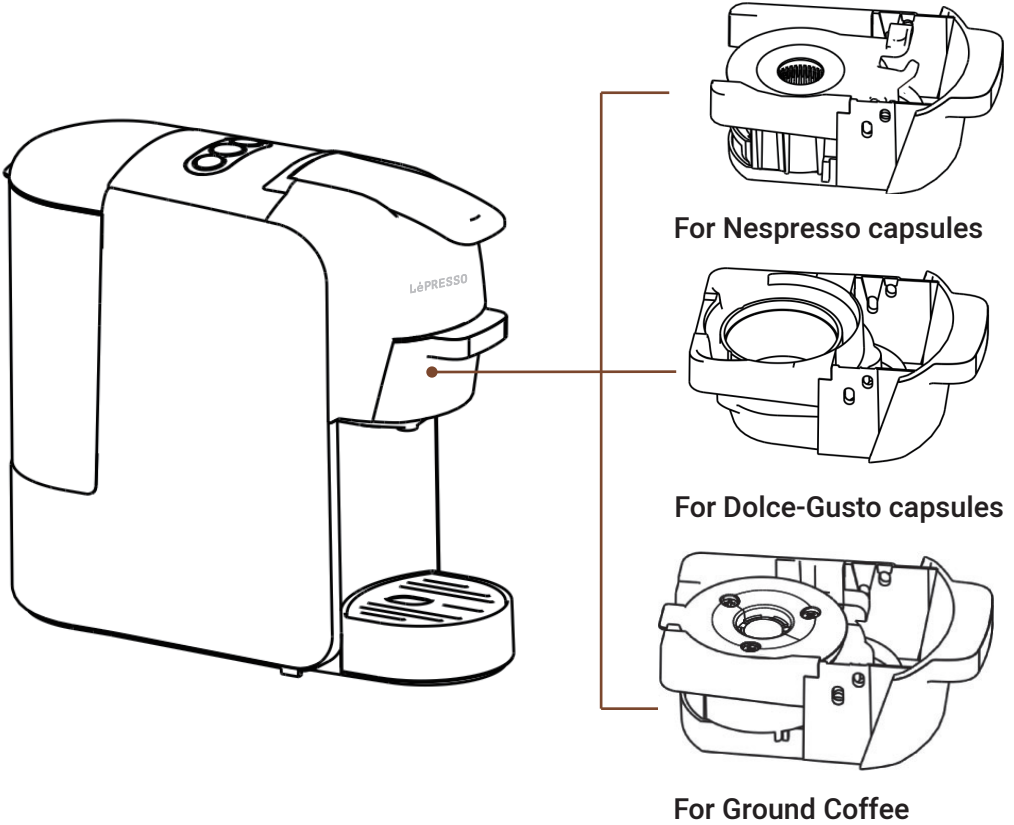
Compatible Capsule Types

Tip: The machine is equipped with different brewing adapters to accommodate various capsule types. Refer to the details below:

For Nespresso Capsules: Use the designated brewing adapter to brew Nespresso-compatible capsules.

For Dolce-Gusto Capsules: Switch to the adapter for Dolce-Gusto capsules for a seamless brewing experience.

For Ground Coffee: Use the appropriate adapter for brewing with ground coffee.



Using Nespresso Capsules

Open the handle and pull out the brewing adaptor designed for Nespresso capsules.

Close the handle:

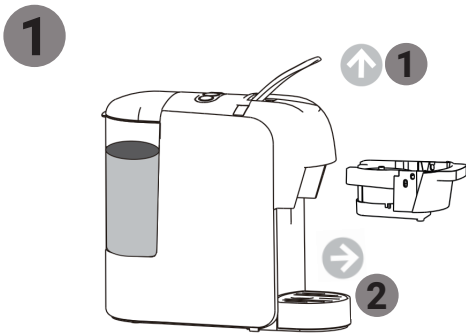
1. Push the brewing adaptor with the capsule into place.

2. Close the handle securely.

Place a cup under the dispenser:

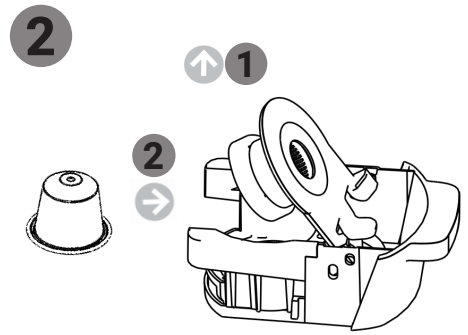
1. Press the desired coffee button once (either for short espresso or lungo).
2. The selected button will blink, and the machine will start brewing.
3. The machine will stop dispensing automatically when the default brewing time is reached (25 seconds for short espresso, 47 seconds for lungo).
4. Raise the handle and remove the used capsule by pulling out the brewing basket.

Note: When the button is pressed, the selected button LED may flash for a few seconds before the brewing process begins. This flashing is a part of the pre-heating process and is normal.

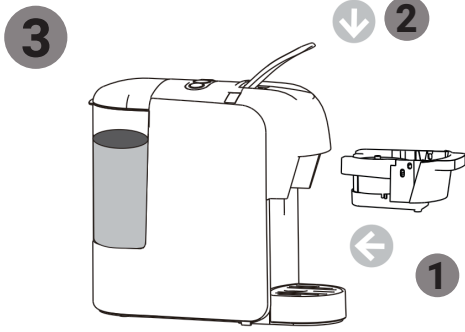


Prepare the capsule:

1. Press the brewing adaptor cover lid.
2. Insert a Nespresso capsule into the brewing adaptor.



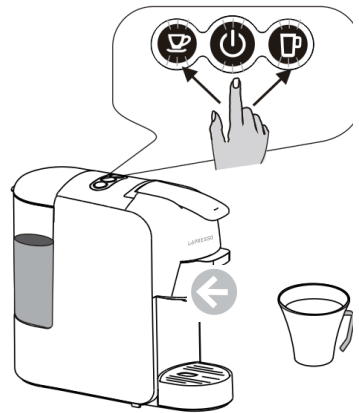
1. Press the brewing adaptor cover lid to open it.
2. Insert the Nespresso capsule into the brewing adaptor.



1. Insert the brewing adaptor with the capsule into the machine.
2. Close the handle securely to lock the capsule in place.

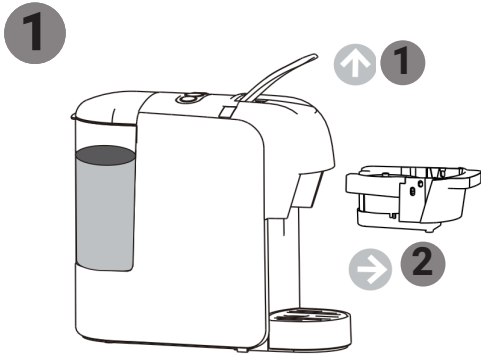
4

1. Place a cup under the coffee spout.
2. Press the desired coffee button once, either for short espresso or lungo coffee.
3. The selected button will blink, and the machine will begin brewing. The dispensing will stop automatically once the default brewing time is reached: 25 seconds for short espresso and 47 seconds for lungo coffee.
4. Raise the handle and remove the used capsule by pulling out the brewing basket.

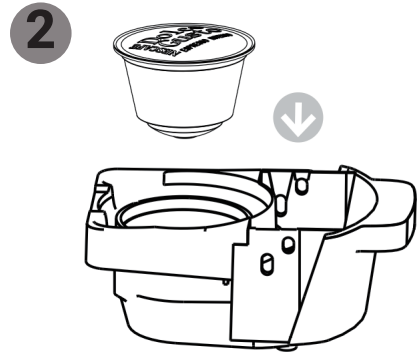


Note: When you press the button, the selected button LED may flash briefly before brewing starts. This is part of the pre-heating process and is completely normal.

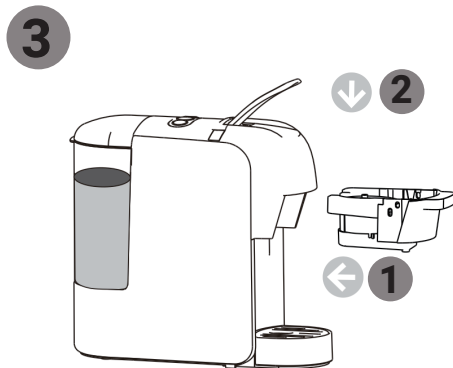
Using Dolce-Gusto Capsules



1. Open the handle to access the capsule compartment.
2. Pull out the brewing adaptor designed for Dolce-Gusto capsules.



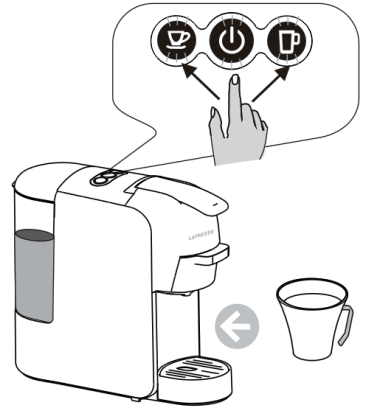
1. Press the brewing adaptor cover lid to open it.
2. Insert a capsule into the brewing adaptor.



1. Insert the brewing adaptor with the capsule into the machine.
2. Close the handle securely to lock the adaptor in place.

4

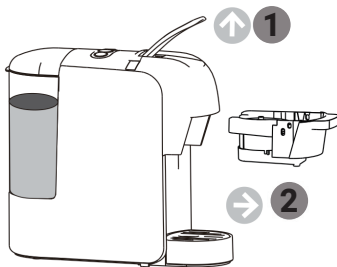
1. Place a cup under the coffee spout.
2. Press the desired coffee button once for either short espresso or lungo coffee.
3. The selected button will blink, and the machine will begin brewing. The dispensing will stop automatically once the default brewing time is reached: 25 seconds for short espresso and 47 seconds for lungo coffee.
4. Raise the handle and remove the used capsule by pulling out the brewing basket.



Note: When the button is pressed, the LED on the selected button may flash briefly before brewing begins. This is normal and part of the pre-heating process.

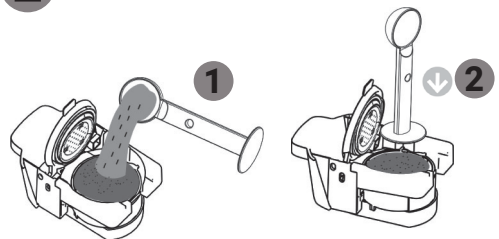
Using Coffee Powder

1



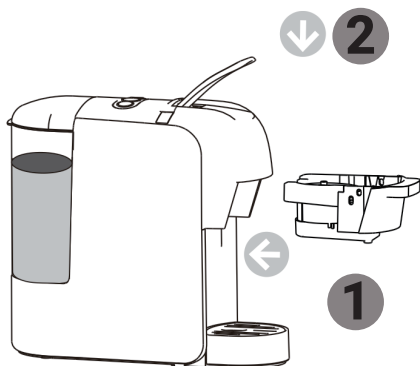
1. Open the handle to access the brewing compartment.
2. Pull out the brewing adaptor designed for coffee powder.

2



1. Fill the brewing adaptor with the desired amount of coffee powder.
2. Press down the coffee powder gently to level it within the adaptor.

3



1. Insert the brewing adaptor containing the coffee powder into the machine.

2. Close the handle securely to lock the adaptor in place.

4

1. Place a cup under the coffee spout.

2. Press the desired coffee button once to select either short espresso or lungo.

3. The selected button will blink, and the machine will begin brewing. The brewing will stop automatically after the default brewing time: 25 seconds for short espresso and 47 seconds for lungo.

4. Raise the handle and remove the used capsule by pulling out the brewing basket.



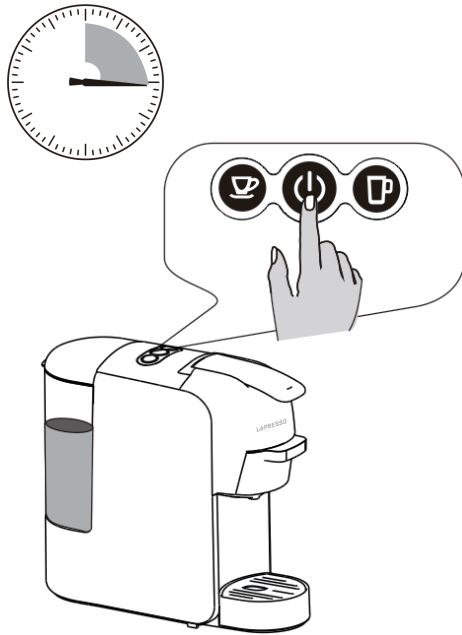
Note: When the button is pressed, the LED on the selected button may flash briefly for a few seconds before the brewing process starts. This is part of the pre-heating process and is completely normal.

Energy Saving Mode

Factory Default Setting: Standby Mode

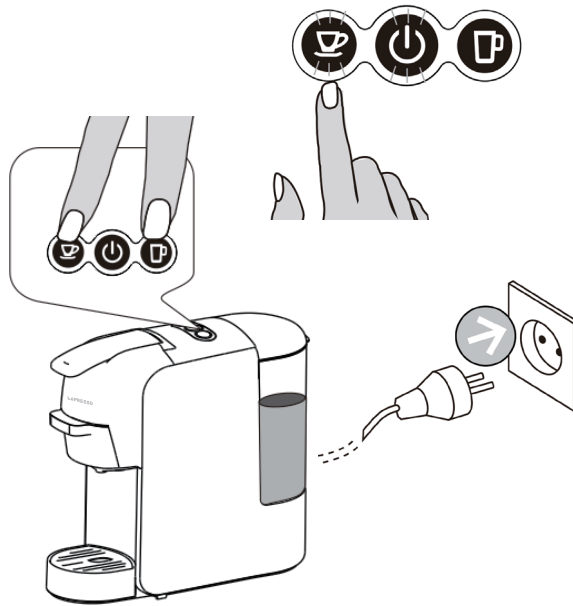
Time: 15 minutes

The machine will automatically turn off after 15 minutes of inactivity, and all indicator lights will turn off.



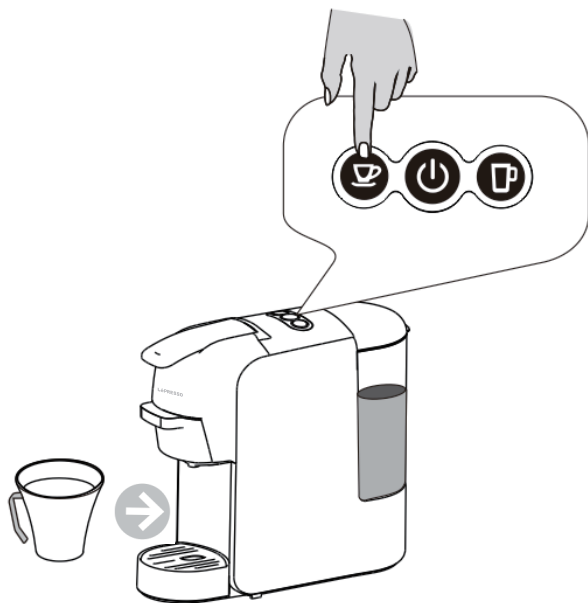
Standby Mode Settings

To activate or deactivate Standby Mode, press both the short espresso button and the lungo button simultaneously while plugging the machine into the socket. To activate Standby mode, press the short espresso button again, and the button light will turn on. If you wish to deactivate it, press the short espresso button, and the button light will turn off, canceling the Standby mode.



Clean Mode Function

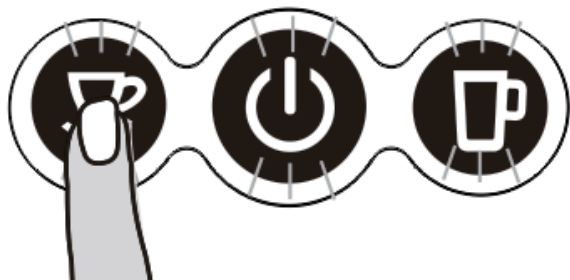
- 1.** Place a large cup under the coffee spout to collect the cleaning water.
- 2.** Add some detergent to the water tank.
- 3.** Press the short espresso button and connect the power at the same time.
- 4.** Both the power button and the short espresso button will light up. Press the short espresso button to start the cleaning cycle, which will run for 120 seconds.
- 5.** To stop the cleaning process, press the short espresso button again.
- 6.** Finally, ensure the water dispensed is clean and free of detergent before resuming normal use.



Coffee Volume Setting

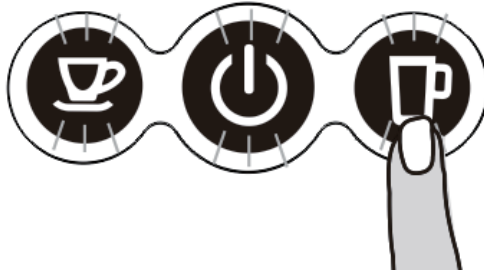
Short Espresso Volume Setting:

1. Place a coffee cup under the coffee spout.
2. Turn on the machine and operate it as usual.
3. Press and hold the short espresso button until you reach the desired coffee volume. Release the button when the desired volume is reached. Minimum: 15 seconds, Maximum: 90 seconds



Lungo Coffee Volume Setting:

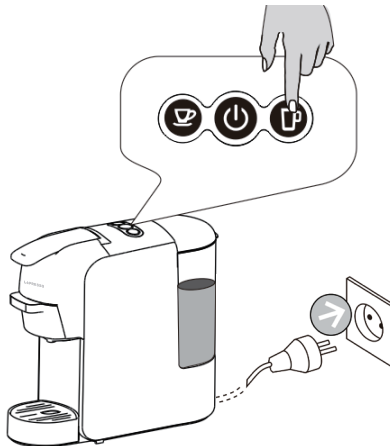
1. Place a coffee cup under the coffee spout.
 2. Turn on the machine and operate it as usual.
 3. Press and hold the lungo button until you reach the desired coffee volume. Release the button when the desired volume is reached.
- Minimum: 15 seconds, Maximum: 90 seconds



Factory Default Setting

To reset the machine to its factory default settings, follow these steps:

1. Press the lungo button and insert the plug into the socket.
2. The indicator lights will flash twice, signaling that the machine has been reset to the factory default settings.



Cleaning and Maintenance

Warning: To avoid electrical shock and fire hazard, never immerse the appliance or any of its parts in water.

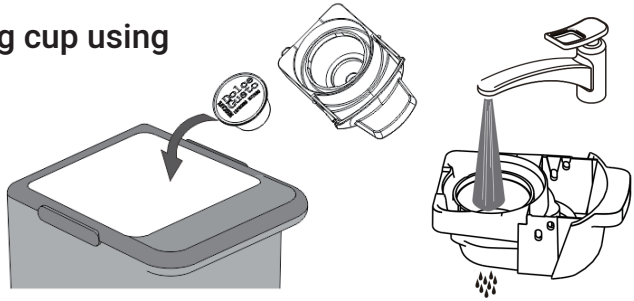
Always unplug the machine before cleaning.

Do not use strong cleaning agents or solvent cleaners.

Avoid using sharp objects or hard brushes for cleaning.

Do not place any parts of the machine in the dishwasher.

Clean the brewing cup using a damp cloth.



Holistic Cleaning:

Wipe the body of the machine with a damp cloth. Dry with a clean towel, cloth, or paper towel.



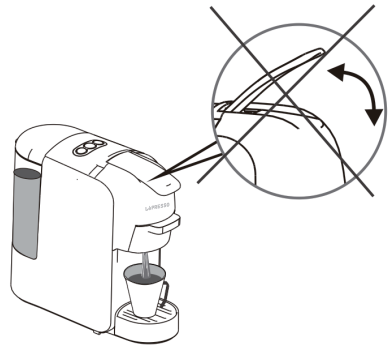
Matters Needing Attention



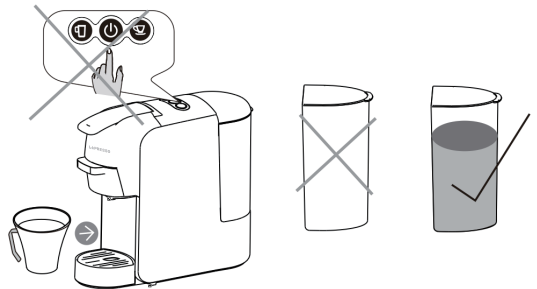
Do not pour water directly onto the machine.



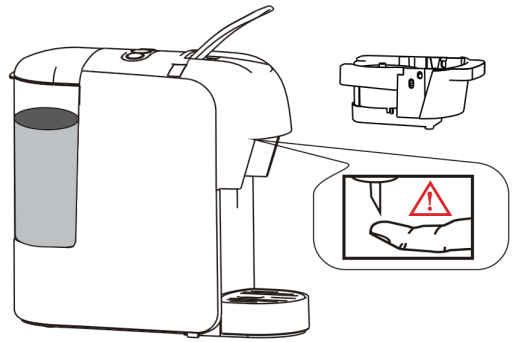
Do not open the handle while brewing to avoid spills and potential injury.



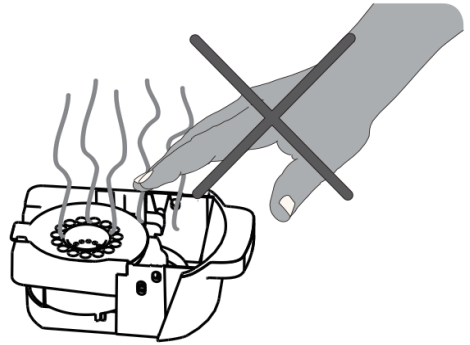
Ensure there is sufficient water in the tank before brewing to prevent machine malfunction.



Caution: There is a sharp needle inside the capsule housing. Never place your hand or any object near the needle after removing the brewing adaptor.



Warning: The brewing adaptor will remain very hot after use. Handle with care to avoid burns.



Decalcification Guide

Water quality can vary depending on your region. Hard water contains lime particles that are deposited as residues inside the machine. Over time, these particles can clog the piping and potentially damage the coffee machine. To avoid this, we recommend decalcifying the machine at least after brewing approximately 400-300 cups of coffee, or If you notice a significant drop in output, or every two months.

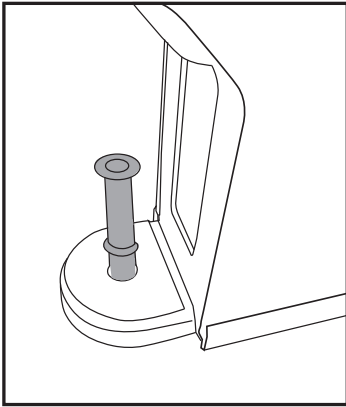
Important: Always follow the decalcification instructions carefully to avoid damage. Do not use vinegar as a cleaning solution, as it can damage the machine and affect the taste of the coffee.

Steps for Decalcification:

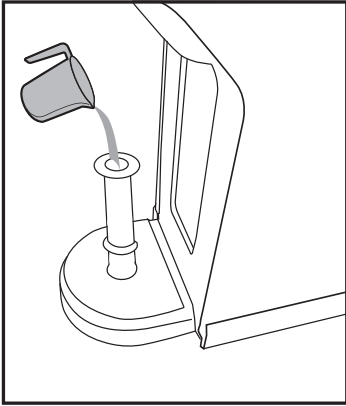
1. Purchase a commercially available descaling product.
2. Dilute the descaling solution according to the manufacturer's instructions, and pour it into the water tank.
3. Make sure there is no coffee capsule in the machine.
4. Place a large container under the dispensing head to collect any decalcified liquid and lime residues.
5. Fill the water tank with the descaling solution and water to the maximum level.
6. Press the lungo button to run the decalcifying solution through the machine while brewing coffee. Repeat this process several times until the entire water tank is empty.
7. After the tank is empty, refill it with clean water to flush out any remaining solution, and repeat the process to ensure all traces of the decalcifying solution are cleared from the machine.

Important Note

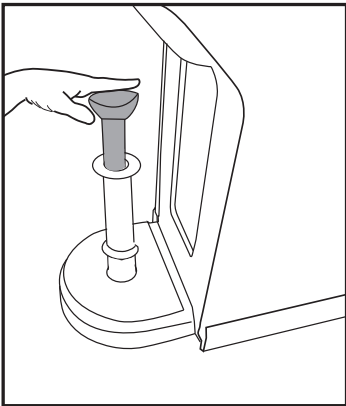
If the machine has been unused for an extended period (e.g., during a holiday), it may experience pumping issues. To resolve this, follow steps 1-3 to manually fill the internal water system. If necessary, repeat this process 2-3 times. Once completed, the machine will be able to pump water as usual. Steps to resolve the issue:



1. Remove the water tank and place the pipe into the water inlet.



2. Fill the pipe with some water.



3. Place the provided stamp onto the pipe and push it down firmly to expel any trapped air.

After performing these steps, the machine should resume normal water pumping operation.

Specifications

Rated Voltage	220-240V
Rated Frequency	50/60Hz
Rated Power	1450W
Extraction Pressure	Max. 19 Bars
Water Tank Capacity	0.6L
Product Size	110x250x270mm
Net Weight	2.5kg

Disposal



This symbol indicates that the product should not be disposed of with regular household waste within the EU. To avoid potential harm to the environment or human health from improper waste disposal, please recycle it responsibly. This helps promote the sustainable reuse of material resources.

Warranty

Products that you buy directly from our **LePresso** website or shop come with a 24-month warranty.

The 24-month warranty applies to products purchased directly from our **LePresso** website or store. If **LePresso** products are bought from any of our verified retailers, then the product is eligible for only a 12-month warranty. To extend your product's warranty, visit our website <https://www.lepresso.com/warranty> and fill in your details in the provided form along with an uploaded picture of the product to process your request. Once approved, you will receive a confirmation email of the extended product warranty. Upload the required information within 48 hours of purchase to be eligible for a 24-month warranty period.

For more info, please check:

<https://www.lepresso.com/warranty>

Contact Us

If you have any questions or concerns about our Shipping and Returns Policy, please contact us at: info@lepresso.com

Website: <https://www.lepresso.com/>

Instagram: [lepresso_official](https://www.instagram.com/lepresso_official)