



Green Lion

**DENALI 30 PORTABLE
SPEAKER**

SKU: GNDESPR30WBK

Model No: GL-SP24

Table of Contents

Product Overview	2
Specifications	2
Safety Precautions	3
Product Sections	3
Setup guide	4
Packing list	6
Connections	6
Fault And Maintenance	7
Important Notes	7
FCC Statement	9
IC Caution Statement	10
Troubleshooting	11
Disposal	11
Warranty	12
Contact Us	12

Product Overview

The Green Lion Denali 30W Portable Speaker offers powerful sound, an IPX7 water-resistant rating, and 4 hours of playtime. Featuring RGB lights, it allows for enhanced audio-visual experiences, and it includes Bluetooth 5.3 for wireless connectivity, a carry handle for portability, and a USB-C charging port for quick power-ups. The speaker also supports TWS mode for pairing multiple speakers, AUX and USB inputs, and hands-free calls for added convenience. Easy-to-use controls complete the design, making it a smart choice for on-the-go music lovers.

Specifications

Model No	GL-SP24
Material	ABS + Fabric
Battery	3600mAh
Power	30W
Voltage	3.7V
Bluetooth	V5.3
Transmission Distance	10m
Speaker	4Ω 15W2
Waterproof	IPX7
Charging Port	USB-C
Charging Time	2-1.5 Hrs
Playtime	4 Hrs
Input Ports	AUX, USB
Product Weight	1.44 kg
Product Dimensions	168*125*253 mm

Safety Precautions

Read all instructions before using the speaker to ensure safe operation.
Power Supply: Only use devices rated for 5V to avoid damage to the speaker.

Charging Instructions: Ensure proper connection to prevent damage.
Do not charge the speaker using incompatible power sources.

Battery Life: Rechargeable batteries lose charge cycles over time and may need replacement after a certain number of uses.

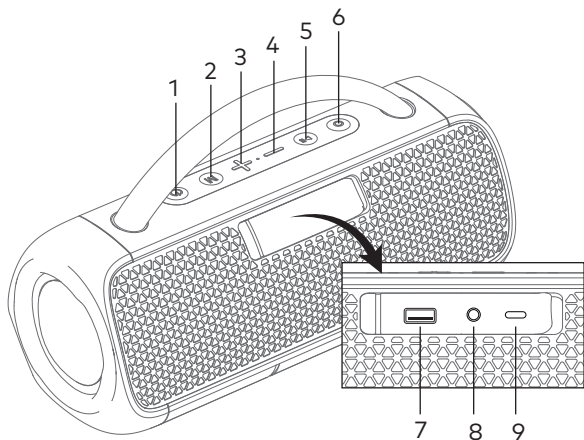
Temperature Safety: Keep the speaker away from extreme heat to preserve its battery life and functionality.

Warranty: Adhere to the instructions to avoid voiding the warranty.
For repairs, contact the manufacturer.

Any changes or modifications not explicitly approved by the responsible compliance party may revoke the user's authorization to operate the equipment.

Product Sections

1. Power button: power on/off, reset, awake voice assistant.
2. Mode button: switch the playing mode.
3. +: Volume up button: next song, increase the volume.
4. -: Volume down button: previous song, decrease the volume.
5. Pause button: play, pause, TWS.
6. Turn on/off RGB light.
7. USB port.
8. AUX IN Port.
9. Type-C charging port.



Setup Guide

1. The Speaker's Battery

Rechargeable Battery: The speaker is powered by a built-in rechargeable battery.

Charging: Use the provided charging cable to connect the speaker to a power source or USB port. The LED indicator turns red while charging and turns off when fully charged.

Battery Maintenance: It's recommended to fully charge the speaker before using it again after a long period of storage.

2. Power ON/OFF

Power On: Press and hold the power button for 2 seconds to turn the speaker on.

Power Off: Press and hold the power button for 8 seconds to turn the speaker off. This will also help reset the speaker if it malfunctions.

3. Connect The Speaker

Bluetooth Pairing: Activate Bluetooth on your device and search for the speaker from the available list.

Audio Cable Connection: You can also connect an external audio device using the provided AUX or USB cable.

TWS Mode: To connect two speakers in TWS mode for stereo sound, follow the instructions to pair both devices wirelessly.

4. Disconnect The Speaker

Bluetooth Disconnection: To disconnect, simply press and hold the mode button for 2 seconds after Bluetooth connection is established.

5. Reconnect The Speaker

Automatic Reconnection: Some devices support automatic reconnection. If you previously paired with the speaker, it will automatically reconnect when turned on. If it does not reconnect, press the power button for 2 seconds to manually reestablish the connection.

6. RGB Light

RGB Mode: Press the RGB button to toggle the LED light between different effects. The lights sync to the rhythm of the music, providing a dynamic visual experience.

7. Playing Mode

Mode Switching: Press the mode button to cycle through various playback modes, such as BT (Bluetooth), AUX, and USB.

8. Audio Cable Connection

Wired Connection: Connect a 3.5mm audio cable from your device to the speaker. The speaker will then switch to audio input from the wired connection.

9. USB Mode

Music Playback via USB: Connect the speaker to your music source via USB to play music.

10. Reset

Factory Reset: If you need to clear the pairing memory, press and hold the reset button for 5 seconds. The speaker will revert to its default settings and will prompt for a new connection.

11. The Pause Button's Functionality

Short Press: Toggles music playback between play and pause.

Long Press: Pauses music and enters TWS (True Wireless Stereo)

mode. Press again for 2 seconds to disconnect TWS.

12. Change Volume And Songs

Volume Control:

Increase: Press the "+" button to raise the volume.

Decrease: Press the "-" button to lower the volume.

Song Navigation:

Previous Song: Press and hold the "-" button.

Next Song: Press and hold the "+" button.

13. Automatic Turn Off Functionality

Power Saving: The speaker will automatically turn off if there's no Bluetooth connection or music is playing for 10 minutes.

Packing list

1pcs M10 Plus wireless speaker

1pcs Type-C USB cable

Connections

1. TWS Connection

Turn on both speakers.

Press and hold the Play/Pause button on one speaker for 2 seconds until you hear a "beep" sound. The default is the primary speaker, which you operated the Play/Pause button on for pairing.

Release the Play/Pause button. It may take a few seconds for the speakers to connect. Check the indicator lights to distinguish L/R channels: the white light on one speaker flashes while the other shows a solid white light, which should be the primary (left) channel.

Connect to your smartphone by selecting the speaker number in Bluetooth settings (only one number will appear if both speakers are paired).

2. TWS Disconnection

Press and hold the Play/Pause button on one speaker for about 2 seconds until you hear a “beep” sound.

Explanation:

The blue light indicates (-) : The product is suitable for use in non-tropical climates.

Note: Please use the same type or equivalent type of battery to replace it if the battery is replaced.

The lithium battery must not be exposed to excessive heat or fire.

Fault And Maintenance

Connection failed:

Ensure the multifunction indicator light flashes blue or white on your speakers. If not, charge the speaker until the light turns on.

Ensure the speaker and Bluetooth device are within 12-8 meters and there are no obstacles between them.

Check the Bluetooth settings on your device.

Music player sounds distorted:

Ensure the distance between the speakers and the connected device is effective for Bluetooth communication (12-8 meters).

Ensure no obstacles are blocking the Bluetooth signal.

Verify the speaker or playback device isn't in low power mode.

Important Notes

1. Notes Before Use

This product is designed with full attention to safety performance. To ensure safe operation, please follow these guidelines:

Place the speaker on a stable surface, avoiding any potential risk of falling or causing personal injury.

Do not disassemble, open, crush, bend, puncture, or burn the speaker. Avoid placing near heat sources like radiators, heating equipment, stoves, or other heat-generating devices.

Clean the speaker with a dry cloth only. Please power off the speaker and unplug it before cleaning.

If professional maintenance is required, please contact a qualified technician.

Adjust the volume to a comfortable level for health considerations.

2. General Notes

This equipment has been tested and complies with the limits for a Class B digital device as specified in Part 15 of the FCC Rules. These limits are intended to provide reasonable protection against harmful interference in a residential installation.

This equipment generates and radiates radio frequency energy, and if not used in accordance with the instructions, may cause harmful interference to radio communications.

However, there is no guarantee that interference will not occur in a particular installation.

If harmful interference to radio or television reception occurs, as determined by turning the equipment off and on, the user is encouraged to try the following measures:

Reorient or relocate the receiving antenna.

Increase the separation between the equipment and receiver.

Connect the equipment to an outlet on a different circuit from the one to which the receiver is connected.

Consult the dealer or an experienced radio/TV technician for assistance.

FCC Statement

1. This device complies with Part 15 of the FCC Rules. Operation is subject to the following two conditions:

(1) This device may not cause harmful interference; and

(2) This device must accept any interference received, including interference that may cause undesired operation.

2. Changes or modifications not expressly approved by the party responsible for compliance could void the user's authority to operate the equipment.

Note: This equipment has been tested and found to comply with the limits for a Class B digital device, pursuant to Part 15 of the FCC Rules. These limits are designed to provide reasonable protection against harmful interference in a residential installation.

This equipment generates and can radiate radio frequency energy, and if not installed and used in accordance with the instructions, may cause harmful interference to radio communications. However, there is no guarantee that interference will not occur in a particular installation. If this equipment does cause harmful interference to radio or television reception, which can be determined by turning the equipment off and on, the user is encouraged to try to correct the interference by one or

more of the following measures:

Reorient or relocate the receiving antenna.

Increase the separation between the equipment and receiver.

Connect the equipment to an outlet on a circuit different from that to which the receiver is connected.

Consult the dealer or an experienced radio/TV technician for assistance.

RF warning statement:

The device has been evaluated to meet general RF exposure requirements. The device can be used in portable exposure conditions without restriction.

IC Caution Statement

Radio Standards Specification RSS-Gen, Issue 5 - **English:**

This device contains license-exempt transmitter(s)/receiver(s) that comply with Innovation, Science and Economic Development Canada's license-exempt RSS(s).

Operation is subject to the following two conditions:

This device may not cause interference.

This device must accept any interference, including interference that may cause undesired operation of the device.

RF Exposure Statement:

The device has been evaluated to meet the general RF exposure requirements. The device can be used in portable exposure conditions without restriction.

French:

Cet appareil contient des émetteurs/récepteurs exemptés de licence conformes aux RSS d'Innovation, Sciences et Développement économique Canada. Le fonctionnement est soumis aux deux conditions suivantes :

Cet appareil ne doit pas causer d'interférences.

Cet appareil doit accepter toutes les interférences, y compris celles susceptibles de provoquer un fonctionnement indésirable de l'appareil.

Déclaration d'exposition RF :

L'appareil a été évalué pour répondre aux exigences générales d'exposition aux RF. L'appareil peut être utilisé dans des conditions d'exposition portable sans restriction.

Troubleshooting

The speaker does not turn on?

Recharge your speaker.

The speaker does not turn off or respond?

Reset the speaker by holding the power button for 8 seconds to automatically reset and turn it off.

There is no sound?

Adjust the volume.

Ensure your Bluetooth device is within range.

Make sure there are no obstacles blocking or disturbing the Bluetooth signal.

Check the device's Bluetooth connection to confirm the speaker is connected.

There is poor sound quality?

Move the device closer to the speaker or remove obstacles between them.

Cannot connect the device with the speaker?

Disconnect other connected devices and try again.

You can force a disconnection by moving out of Bluetooth range (10 meters).

Note: To avoid affecting product performance, please charge your device at least once every 3 months.

Disposal

This product must not be disposed of as unsorted household waste. It is important to separate such waste for proper treatment and recycling, in compliance with local waste management regulations.

Warranty

Products that you buy directly from our **Green Lion** website or shop come with a 24-month warranty.

When you buy **Green Lion** products from any of our approved sellers, you only get a 12-month warranty. If you want to extend this warranty, go to our website at <https://www.greenlion.net/warranty> and fill out the form with your information. Don't forget to upload a picture of the product too. After we've checked and accepted your request, we'll send you an email to confirm that your product's warranty has been extended.

For more info, please check:
<https://www.greenlion.net/warranty>

Contact Us

If you have any questions about this Privacy Policy, please contact us at:

Website: <https://www.greenlion.net/>

Sales: sales@greenlion.net

Service Support: Support@greenlion.net

Telegram: [@greenlion_global](https://t.me/greenlion_global)

Instagram: [@greenlion_global](https://www.instagram.com/greenlion_global)