



Powerology

**Onyx 30000mAh
DUAL USB-C POWER BANK**

SKU: PPBCHA20

Table of Contents

Product Overview	2
Specifications	2
Product Features	3
Schematic View	4
Charging Instructions	4
Safety Precautions	4
FCC Statement	5
Disposal	6
Warranty	7
Contact Us	7

Product Overview

The Powerology Onyx 30000mAh Dual USB-C Power Bank is a high-capacity, compact power solution designed for fast charging with a 100W PD 3.0 output. Featuring Dual Power Delivery, it ensures efficient and quick charging for multiple devices at once, making it an ideal companion for travelers and tech enthusiasts. The built-in safeguards offer enhanced protection to ensure safe charging, while its sleek design and advanced functionality make it a premium choice for on-the-go power needs. Whether you're charging smartphones, laptops, or other devices, the Onyx power bank provides reliable and rapid energy delivery.

Specifications

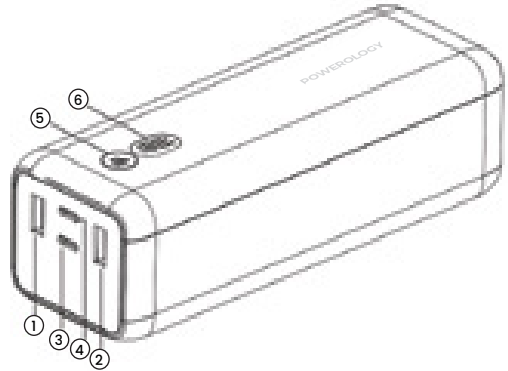
Battery Capacity	Li-ion 30000mAh / 111Wh
USB-C1 PD Input	100W DC 5V/3A, 9V/3A, 12V/3A, 15V/3A, 20V/5A
USB-C1 PD Output	100W DC 5V/3A, 9V/3A, 12V/3A, 15V/3A, 20V/5A
USB-C2 PD Output	45W DC 5V/3A, 9V/3A, 12V/3A, 15V/3A, 20V/2.25A
USB-A1 QC Output	22.5W DC 5V/3A, 9V/2A, 12V/1.5A
USB-A2 QC Output	22.5W DC 5V/3A, 9V/2A, 12V/1.5A
SCP	22.5W 10V/2.25A
Total Output	110W Max
USB-C1+ C2	65W +45W
USB-C1+ USB-A2/1	65W+22.5W
USB-C1+ C2 + USB-A2/1	65W+20W+22.5W
USB-C2 + USB-A2/1	45W+22.5W
USB-C2 + USB-A1 + USB-A2	45W+15W
USB-C1+ C2 + USB-A1+ A2	65W+20W +15W

Product Features

- A. Dual USB-C Ports:** Designed for charging multiple devices simultaneously, this power bank features two USB-C ports, allowing you to charge your smartphone, tablet, or other USB-C devices at the same time without compromising charging speed.
- B. PD 3.0 :** Equipped with the advanced PD 3.0 technology, this power bank optimizes charging speeds to deliver faster power to your devices, ensuring you spend less time waiting for your devices to charge.
- C. 100W Power Delivery (PD):** The Onyx power bank supports up to 100W Power Delivery, providing efficient, high-speed charging for laptops, smartphones, and other USB-C devices. With Power Delivery, you can quickly charge even larger devices, such as laptops, without needing a traditional charger.
- D. Multi-Device Charging:** With its ability to charge multiple devices at once, this power bank is perfect for users on the go who need to keep their phones, tablets, and other gadgets powered up simultaneously. Whether you're traveling or working remotely, it ensures your devices stay charged.
- E. Built-In Safeguards:** The power bank is equipped with built-in safety features, including overcharge, short-circuit, and overheat protection. These safeguards ensure your devices and the power bank itself remain safe during the charging process, providing peace of mind while using it.
- F. Laptop Charger:** With its 30,000mAh capacity and 100W PD output, the Onyx power bank can charge laptops, offering up to 60% charge in just 30 minutes. This makes it a great solution for charging laptops on the go, ensuring you stay productive no matter where you are.
- G. Digital Display:** The integrated digital display provides a real-time indication of the battery level, allowing you to monitor the remaining charge and ensure you never run out of power unexpectedly.

Schematic View

1. USB-A1 QC3.0 Output
2. USB-A2 QC3.0 Output
3. Type-C1 PD 100W Input & Output
4. Type-C2 PD 45W Input & Output
5. Power Button
6. LED Power Display



Charging Instructions

1. Recharging Your Power Bank

To recharge the power bank, connect it to a computer, car charger, or wall charger using the Type-C cable. The power bank will begin charging automatically. The LED display will show the current charge level, and the next power indicator will flash.

2. Charging Your Device

Connect your device to the USB outputs or Type-C output using your device's charging cable (not included). Press the power button once, and the LED display will show the current charge level. The power bank will start charging your device. Once charging is complete, press the button twice to turn it off, or it will automatically turn off after approximately 35 seconds.

Safety Precautions

1. Never leave a charging battery unattended to avoid potential risks.
2. Keep the power bank in a cool, dry place and avoid exposure to excessive humidity or liquids.
3. Do not damage or puncture the power bank casing. This could result in overheating, fire, or an explosion.

4. Keep the power bank away from heat sources, including radiators, stoves, and direct sunlight. Do not expose it to temperatures exceeding 40°C, such as in a hot car. Failure to follow this may lead to overheating, fire, or explosion.
5. Avoid using the power bank in strong electrostatic or electromagnetic environments, including near microwaves, as this may shorten the device's lifespan.
6. If the power bank emits an odor, excessive heat, or shows signs of discoloration or distortion, discontinue use immediately.
7. Any servicing should be performed by qualified personnel, especially if the power bank is damaged, exposed to liquid, or malfunctions. Do not attempt to repair or open the device yourself, as this may cause overheating, fire, or explosion.
8. Dispose of the power bank properly at a battery recycling station at the end of its life. It is not suitable for regular waste disposal.
9. If a new power bank is left unused for more than three months, its battery capacity may be reduced. However, it will return to normal capacity after 3-4 charge and discharge cycles.

FCC Statement

1. This device complies with Part 15 of the FCC Rules. Operation is subject to the following two conditions:
 - (1) This device may not cause harmful interference; and
 - (2) This device must accept any interference received, including interference that may cause undesired operation.
2. Changes or modifications not expressly approved by the party responsible for compliance could void the user's authority to operate the equipment.

Note: This equipment has been tested and found to comply with the limits for a Class B digital device, pursuant to Part 15 of the FCC Rules. These limits are designed to provide reasonable protection against harmful interference in a residential installation.

This equipment generates and can radiate radio frequency energy, and if not installed and used in accordance with the instructions, may cause harmful interference to radio communications. However, there is no guarantee that interference will not occur in a particular installation. If this equipment does cause harmful interference to radio or television reception, which can be determined by turning the equipment off and on, the user is encouraged to try to correct the interference by one or more of the following measures:

Reorient or relocate the receiving antenna.

Increase the separation between the equipment and receiver.

Connect the equipment to an outlet on a circuit different from that to which the receiver is connected.

Consult the dealer or an experienced radio/TV technician for assistance.

RF warning statement:

The device has been evaluated to meet general RF exposure requirements. The device can be used in portable exposure conditions without restriction.

Disposal

This product must not be disposed of as unsorted household waste. It is important to separate such waste for proper treatment and recycling, in compliance with local waste management regulations.

Warranty

Products that you buy directly from our **Powerology** website or shop come with a 24-month warranty.

The 24-month warranty applies to products purchased directly from our **Powerology** website or store. If **Powerology** products are bought from any of our verified retailers, then the product is eligible for only a 12-month warranty. To extend your product's warranty, visit our website **<https://www.powerology.me/warranty>** and fill in your details in the provided form along with an uploaded picture of the product to process your request. Once approved, you will receive a confirmation email of the extended product warranty. Upload the required information within 48 hours of purchase to be eligible for a 24-month warranty period.

For more info, please check:

<https://www.powerology.me/warranty>

Contact Us

If you have any questions about this Privacy Policy, please contact us at: **hey@powerology.me**

Website: **<https://www.powerology.me/>**

Instagram: **[powerology_official](#)**

Facebook: **[powerology.ME](#)**