



Powerology

**VoltEdge
40000mAh POWER BANK**

SKU: PPBCHA87GY

Table of Contents

| | |
|----------------------------|----------|
| Product Overview | 2 |
| Specifications | 2 |
| LED Display Details | 3 |
| Schematic view | 4 |
| Safety Precautions | 4 |
| FCC Statement | 5 |
| Disposal | 7 |
| Warranty | 8 |
| Contact Us | 8 |

Product Overview

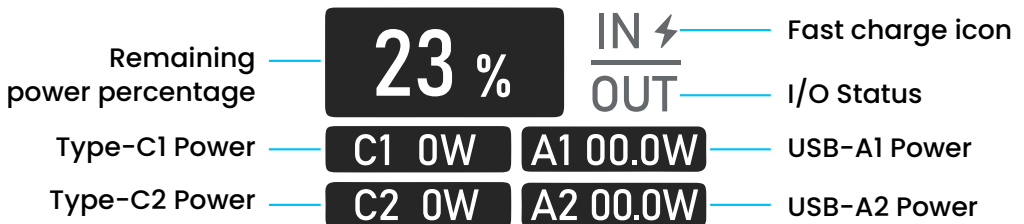
The Powerology VoltEdge 40000mAh is a high-capacity Power Bank designed to power multiple personal devices at once. With its ultra-fast charging capabilities, it allows you to charge up to four devices simultaneously, including laptops, through its PD 100W output. The power bank features a smart TFT display that shows real-time information about the power status and current charging levels of your devices, ensuring a smooth and informed charging experience. Built with safety in mind, it includes integrated safeguards to protect your devices from overcharging, short circuits, and overheating. The sleek and compact design, combined with its multi-device charging function, makes it an ideal choice for on-the-go power needs.

Specifications

| | |
|-------------------|--|
| Model | PPBCHA87 |
| Battery Capacity | 40000mAh |
| Rated Capacity | 26000mAh |
| Type-C1/C2 Input | 5V/3A, 9V/3A, 12V/3A, 15V/3A, 20V/5A, 100W Max |
| Type-C1/C2 Output | 5V/3A, 9V/3A, 12V/3A, 15V/3A, 20V/5A, 100W Max |

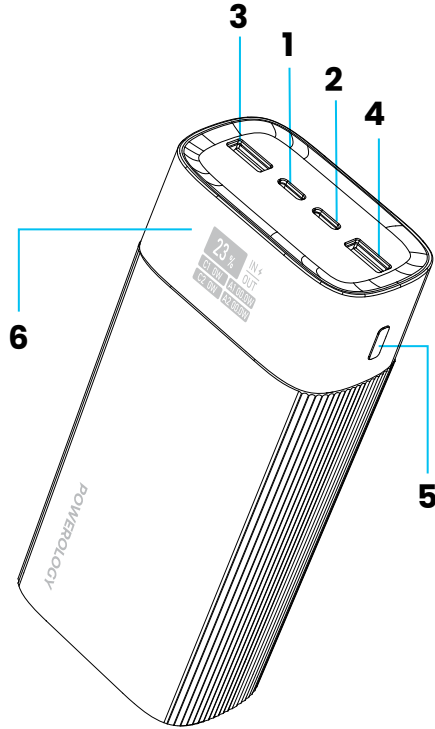
| | |
|----------------------------|---|
| USB-A1/A2 Output | 4.5V/5A, 5V/4.5A, 5V/3A, 9V/2A, 12V/1.5A, 22.5W Max |
| Type-C1 + Type-C2 Output | 45W + 100W Max |
| Type-C2 + USB-A1/A2 Output | 100W+22.5W Max |
| Type-C1 + USB-A1/A2 Output | 20W Max |
| 3 Ports Output | 120W Max |
| 4 Ports Output | 120W Max |
| Total Output | 145W Max |
| Operating Temperature | 0°C ~ 40°C |
| Product Size | 44 x 73 x 163mm |
| Product Weight | 823g |

LED Display Details



Schematic view

1. Type-C1 Port
2. Type-C2 Port
3. USB-A1 Port
4. USB-A2 Port
5. Power Button
6. Status Indicator



Safety Precautions

1. Keep the product at normal temperatures and store it in a shaded area. Avoid exposure to hot or humid environments.
2. Do not store the product in high-temperature or high-humidity locations.
3. Only use the recommended power supply or charger. Using an unauthorized charger may result in injury.
4. The product should only be operated within a temperature range of 0°C to 40°C.

- 5.** Do not attempt to disassemble the product. If repairs are needed, consult a professional service technician. Improper disassembly or reassembly may cause injury and damage.
- 6.** If the product is not used for a long time, charge and discharge it every three months to maintain battery health.
- 7.** While charging, the product may heat up within a safe operating temperature range. Avoid using the product if it becomes excessively hot.
- 8.** Over time, in normal usage conditions, the battery performance will naturally decline.
- 9.** Do not expose the battery to conditions of extreme heat such as sunlight, fire, or other sources of overheating.
- 10.** Do not clean the product with harmful chemicals or detergents. Use only recommended cleaning methods.
- 11.** Misuse, dropping, or excessive force may damage the product and compromise its safety.
- 12.** Properly dispose of the used battery. Keep used batteries or cells away from other electrochemical devices to avoid potential hazards.
- 13.** A discharged battery may cause fire or smoke. Ensure that discharged batteries are properly insulated and taped for safety.
- 14.** Always replace the battery with the same type or an equivalent. Using an incompatible battery could result in an explosion or other hazards.

FCC Statement

- 1.** This device complies with Part 15 of the FCC Rules. Operation is subject to the following two conditions:

- (1) This device may not cause harmful interference; and
- (2) This device must accept any interference received, including interference that may cause undesired operation.

2. Changes or modifications not expressly approved by the party responsible for compliance could void the user's authority to operate the equipment.

Note: This equipment has been tested and found to comply with the limits for a Class B digital device, pursuant to Part 15 of the FCC Rules. These limits are designed to provide reasonable protection against harmful interference in a residential installation.

This equipment generates and can radiate radio frequency energy, and if not installed and used in accordance with the instructions, may cause harmful interference to radio communications. However, there is no guarantee that interference will not occur in a particular installation. If this equipment does cause harmful interference to radio or television reception, which can be determined by turning the equipment off and on, the user is encouraged to try to correct the interference by one or more of the following measures:

Reorient or relocate the receiving antenna.

Increase the separation between the equipment and receiver.

Connect the equipment to an outlet on a circuit different from that to which the receiver is connected.

Consult the dealer or an experienced radio/TV technician for assistance.

RF warning statement:

The device has been evaluated to meet general RF exposure requirements. The device can be used in portable exposure conditions without restriction.

Disposal

This product must not be disposed of as unsorted household waste. It is important to separate such waste for proper treatment and recycling, in compliance with local waste management regulations.



Warranty

Products that you buy directly from our **Powerology** website or shop come with a 24-month warranty.

The 24-month warranty applies to products purchased directly from our **Powerology** website or store. If **Powerology** products are bought from any of our verified retailers, then the product is eligible for only a 12-month warranty. To extend your product's warranty, visit our website <https://www.powerology.me/warranty> and fill in your details in the provided form along with an uploaded picture of the product to process your request. Once approved, you will receive a confirmation email of the extended product warranty. Upload the required information within 48 hours of purchase to be eligible for a 24-month warranty period.

For more info, please check:

<https://www.powerology.me/warranty>

Contact Us

If you have any questions about this Privacy Policy, please contact us at: hey@powerology.me

Website: <https://www.powerology.me/>

Instagram: [powerology_official](https://www.instagram.com/powerology_official)

Facebook: [powerology.ME](https://www.facebook.com/powerology.ME)