



GREEN LION



Green Lion

COMPANION 70 UNIVERSAL TRAVEL ADAPTER

SKU: GNCMP70WTABK

Model No: GS-401

Table of Contents

Product Overview	2
Specifications	2
Product Sections	3
Product Features	4
Setup Guide	4
Product Function	5
Safety precautions	6
Disposal	6
Warranty	7
Contact Us	7

Product Overview

The Green Lion Companion 70 Universal Travel Adapter is a versatile device designed to keep you powered up while traveling. With a 70W PD output and 2400W max power capacity, it supports up to six devices simultaneously, featuring QC 18W USB-A and GaNStorm Technology for efficient charging. Its universal AC socket is compatible with UK, AUS, EU, and US plugs, making it ideal for international travel. Additionally, it boasts a PC flame retardant build for safety. The adapter is compact and includes slide-switch plugs for easy use in various regions.

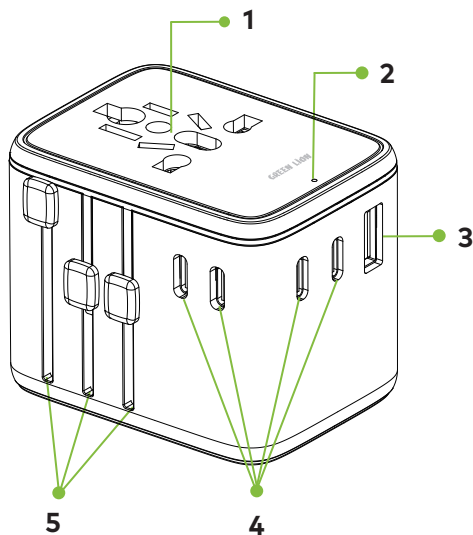
Specifications

Model No	GS-401
Material	Flame Retardant PC + Copper
AC Input	100-240V, 50/60Hz
Power	1000-2400W
Current	10A Max
USB-C1 Output	5V/3A, 9V/3A, 12V/3A, 15V/3A, 20V/3.5A (PD)

USB-C2/C3/C4 Output	5V/3A, 9V/2.22A, 12V/1.67A (PD20W)
USB-A1 Output	5V/3A, 9V/2A, 12V/1.5A (QC18W)
Plug Type	UK-US-EU-AUS
Product Weight	148g
Product Dimensions	53*53*66 mm

Product Sections

1. Universal Socket
2. Power Light
3. USB-A
4. USB-C
5. Slider

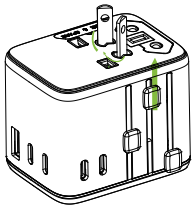


Product Features

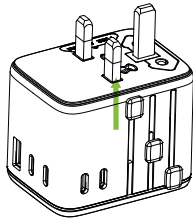
- 1. Single Plug Safety Feature:** Designed to prevent multiple plug insertions at the same time, reducing the risk of electrical faults and ensuring safe operation.
- 2. Built-In Safety Shutters:** Protects users from accidental contact with live components, enhancing electrical safety during use.
- 3. LED Power Indicator:** Provides a clear visual signal when the adapter is powered, allowing users to easily confirm operational status.
- 4. Built-In Auto-Resetting Fuse:** Automatically interrupts the power supply in case of overload or short circuit and resets once the issue is resolved, offering continuous protection without the need for manual replacement.
- 5. Patents Protected:** Manufactured under patented safety and design standards to guarantee authenticity, reliability, and superior performance.
- 6. Multifunction Jack:** Supports a variety of plug types, enabling convenient compatibility with electrical devices from multiple regions around the world.

Setup Guide

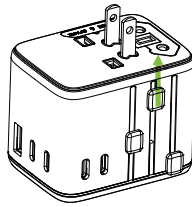
- 1.** This travel adapter features a universal socket that fits a variety of plugs worldwide.



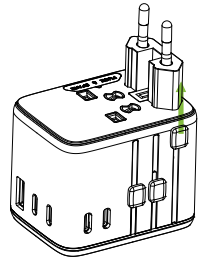
Australia / NZ



UK



USA



EU

2. Only one plug can be used at a time. Other plugs will automatically lock. To switch plugs, press and hold the side lever to release the pins before inserting another plug.

3. To use the Australian plug, rotate the pin 45 degrees.

Product Function

1. Covers more than 150 countries with US/EU/UK/AU Plugs.

2. Built-in safety shutters protect users from the direct touch of the live parts on the socket outlet.

3. Suitable for charging tablets, cell phones, computers, razors, mp3, digital cameras, game consoles, and other devices.

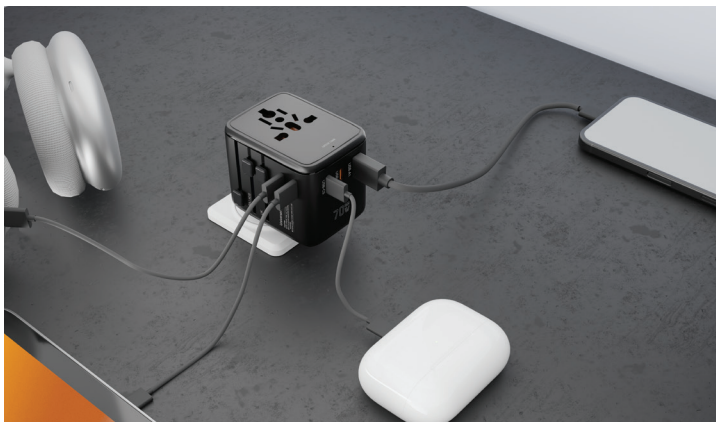


Safety precautions

1. This product does not convert voltage. Ensure your device has the correct voltage rating. If the supply voltage differs, use the proper transformer.
2. Each country has its own regulations regarding travel adapters.
3. Always check the adapter's compatibility before use.
4. Avoid storing the product in direct sunlight, or in areas with high temperatures, humidity, or dust.
5. Do not use the product with wet hands.
6. This equipment is not suitable for children. Keep a safe distance from children and pets.

Disposal

This product must not be disposed of as unsorted household waste. It is important to separate such waste for proper treatment and recycling, in compliance with local waste management regulations.



Warranty

Products that you buy directly from our **Green Lion** website or shop come with a 24-month warranty.

When you buy **Green Lion** products from any of our approved sellers, you only get a 12-month warranty. If you want to extend this warranty, go to our website at <https://www.greenlion.net/warranty> and fill out the form with your information. Don't forget to upload a picture of the product too. After we've checked and accepted your request, we'll send you an email to confirm that your product's warranty has been extended.

For more info, please check:

<https://www.greenlion.net/warranty>

Contact Us

If you have any questions about this Privacy Policy, please contact us at:

Website: <https://www.greenlion.net/>

Sales: sales@greenlion.net

Service Support: Support@greenlion.net

Telegram: [@greenlion_global](https://t.me/greenlion_global)

Instagram: [@greenlion_global](https://www.instagram.com/greenlion_global)