

PORODO



Porodo

Xpert 5-In-1 Retractable Wireless Charger

SKU: PDC53BK

Table of Contents

Product Overview	2
Specifications	2
Instructions for Use	3
Schematic View	4
Charging Operation	4
Safety Precautions	5
FCC Statement	6
Disposal	7
Warranty	8
Contact Us	8

Product Overview

The Xpert 5-in-1 Retractable Wireless Charger is designed to offer a convenient and space-saving solution for charging multiple devices. It features wireless charging with Qi2 and 25W fast charging technology, ensuring efficient power delivery. The charger includes a retractable 1-meter USB-C cable, which helps to reduce clutter and offers easy storage. It also comes with an LED light that allows adjustable brightness, providing customizable illumination. Built-in safeguards ensure safe charging by protecting against overcurrent and overheating, making it an ideal choice for keeping your devices powered up with minimal space usage.

Specifications

Material	ABS + PC
Input	20V/5A, 100W Max
Rated Frequency	115-360KHz
USB-C Cable Output	5V/3A, 9V/3A, 12V/2.5A, 15V/2A, 20V/1.5A, 30W Max
Wireless Outputs	5W, 7.5W, 10W, 15W, 25W Max (Phones), 1-3W (Watch), 5W (Earbuds)
Transmission Distance	<5mm
Charging Interface	USB-C

Product Weight	519g
Product Size	65 × 65 × 89mm
Model Number	PDC53

Instructions for Use

1. Lighting Method

The indicator light emits a warm white light to show the current status of the device. Below is a table of the different states and their corresponding light behavior:

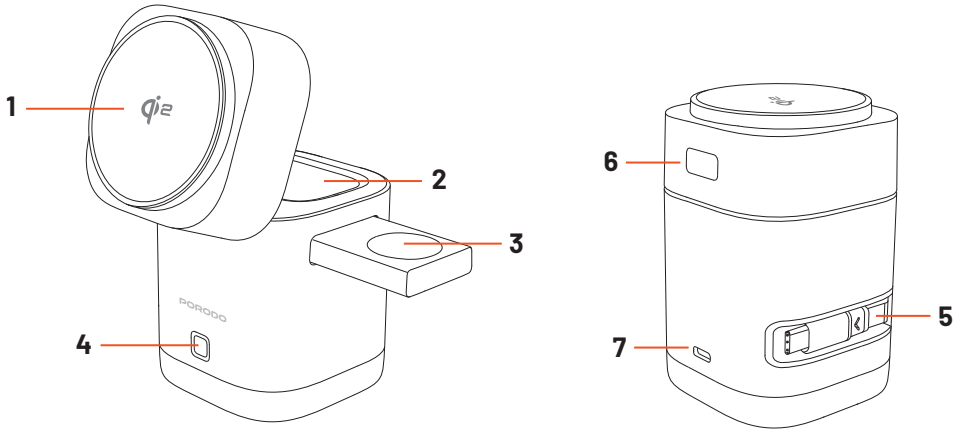
LED Light Color	Power On	Standby Mode	Phone Charging	Earphone Charging	Be Filled With	Foreign Object Detection	Over Voltage	Over Current	Temperature Too High
Warm White	Turns off after 3 seconds of illumination	Turns off the light	Turns off the light	Turns off the light	Turns off the light	Flashes light	Flashes light	Turns off the light	Flashes light

2. The night light has two brightness levels:

- a. The first level is dimmer.
- b. The second level is brighter.

Key control sequence: Light on, 1st gear/ light on, 2nd gear/ light off, in this loop.

Schematic View



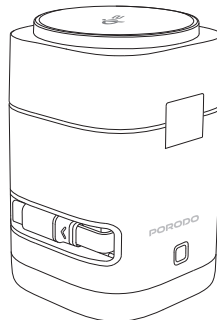
1. Cell Phone Charging Area
2. AirPods/Earbuds Charging Area
3. Apple Watch Charging Area
4. Switching Lights

5. Built-in Type-C Cable
6. Infrared Sensor Rotation
7. Type-C Input Port

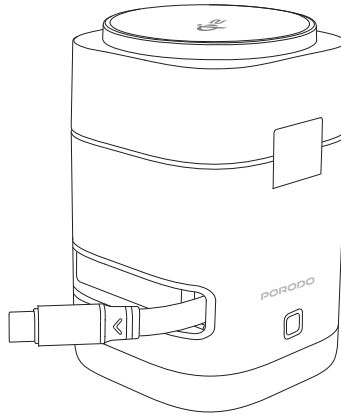
Charging Operation

Follow the steps below to use the built-in Type-C cable for charging:

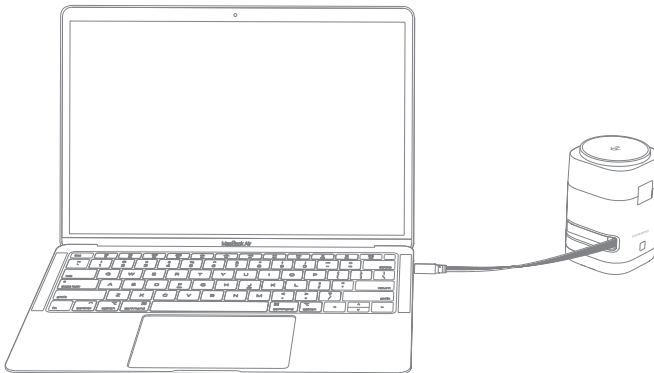
1. Connect the built-in Type-C cable to the charging port of the device.



2. Insert the Type-C cable into the laptop or power adapter for charging.



3. The device will begin charging once properly connected.



Safety Precautions

1. This device is equipped with Over-current Protection (OCP), Short Circuit Protection (SCP), Over-voltage and Under-voltage Protection (UVP), Foreign Object Detection (FOD), no-load protection, and other safety features.
2. If your mobile phone, earbuds, AirPods, or Apple Watch has a protective case, ensure that the case is non-metallic, flat, without any protrusions, and the thickness does not exceed 2mm.

3. Avoid placing the device in direct sunlight or in high-temperature environments. Keep it away from fire and heat sources.
4. Store the device in a dry area and avoid contact with corrosive substances.
5. When children use the device, they should be supervised by an adult and follow the instructions in the manual to ensure safe use.
6. Do not disassemble the device or expose it to fire to avoid potential hazards.
7. This product must be powered by a 20V/5A 100W PD adapter for proper charging. When using a tablet PC or laptop, ensure it is connected to the appropriate adapter.

Note: Regular 5V adapters are not supported. Using a 5V adapter will cause the device to malfunction.

FCC Statement

1. This device complies with Part 15 of the FCC Rules. Operation is subject to the following two conditions:

- (1) This device may not cause harmful interference; and
- (2) This device must accept any interference received, including interference that may cause undesired operation.

2. Changes or modifications not expressly approved by the party responsible for compliance could void the user's authority to operate the equipment.

Note: This equipment has been tested and found to comply with the limits for a Class B digital device, pursuant to Part 15 of the FCC Rules. These limits are designed to provide reasonable protection against harmful interference in a residential installation.

This equipment generates and can radiate radio frequency energy, and if not installed and used in accordance with the instructions, may cause harmful interference to radio communications. However, there is no guarantee that interference will not occur in a particular installation. If this equipment does cause harmful interference to radio or television reception, which can be determined by turning the equipment off and on, the user is encouraged to try

to correct the interference by one or more of the following measures:

Reorient or relocate the receiving antenna.

Increase the separation between the equipment and receiver.

Connect the equipment to an outlet on a circuit different from that to which the receiver is connected.

Consult the dealer or an experienced radio/TV technician for assistance.

RF warning statement:

The device has been evaluated to meet general RF exposure requirements.

The device can be used in portable exposure conditions without restriction.

Disposal

This product must not be disposed of as unsorted household waste. It is important to separate such waste for proper treatment and recycling, in compliance with local waste management regulations.



Warranty

Products that you buy directly from our **Porodo** website or shop come with a 24-month warranty.

When you buy **Porodo** products from any of our approved sellers, you only get a 12-month warranty. If you want to extend this warranty, go to our website at <https://www.porodo.net/warranty> and fill out the form with your information. Don't forget to upload a picture of the product too. After we've checked and accepted your request, we'll send you an email to confirm that your product's warranty has been extended.

For more info, please check:
<https://www.porodo.net/warranty>

Contact Us

If you have any questions about this Privacy Policy, please contact us at:

info@porodo.net

Website: <https://www.porodo.net/>

Service Support: **support@porodo.net**

Instagram: **porodo**