



**Powerology**

**Smart-Clamp  
Phone and Tablet Mount**

SKU: PSM20



# Table of Contents

|                     |   |
|---------------------|---|
| Applications        | 2 |
| Installation Guide  | 2 |
| Product Description | 3 |
| Specifications      | 4 |
| Disposal            | 4 |
| Warranty            | 5 |
| Contact Us          | 5 |

Before using the product, please carefully read this User Manual to guarantee correct usage and keep it secure for future reference.

## Applications



Video Call Mode

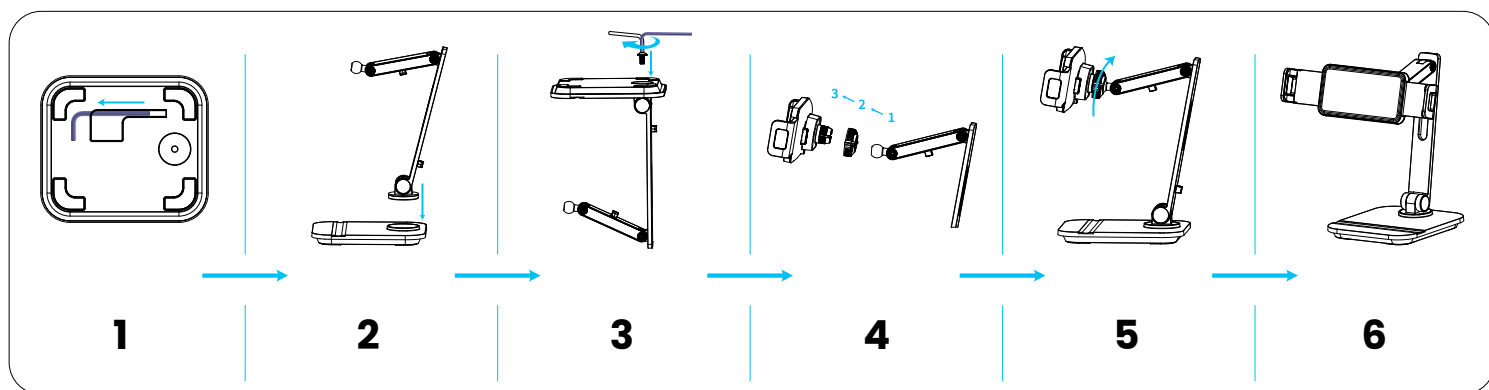


Reading Mode



Drawing Mode

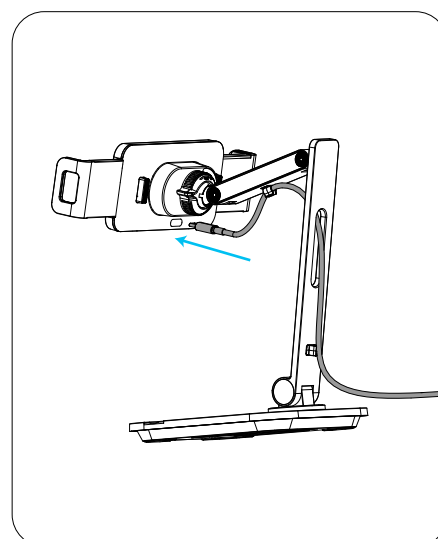
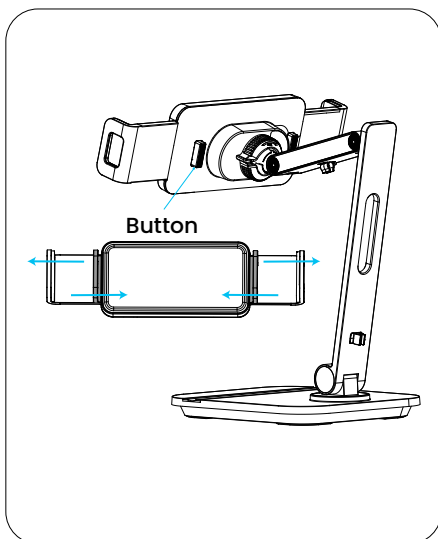
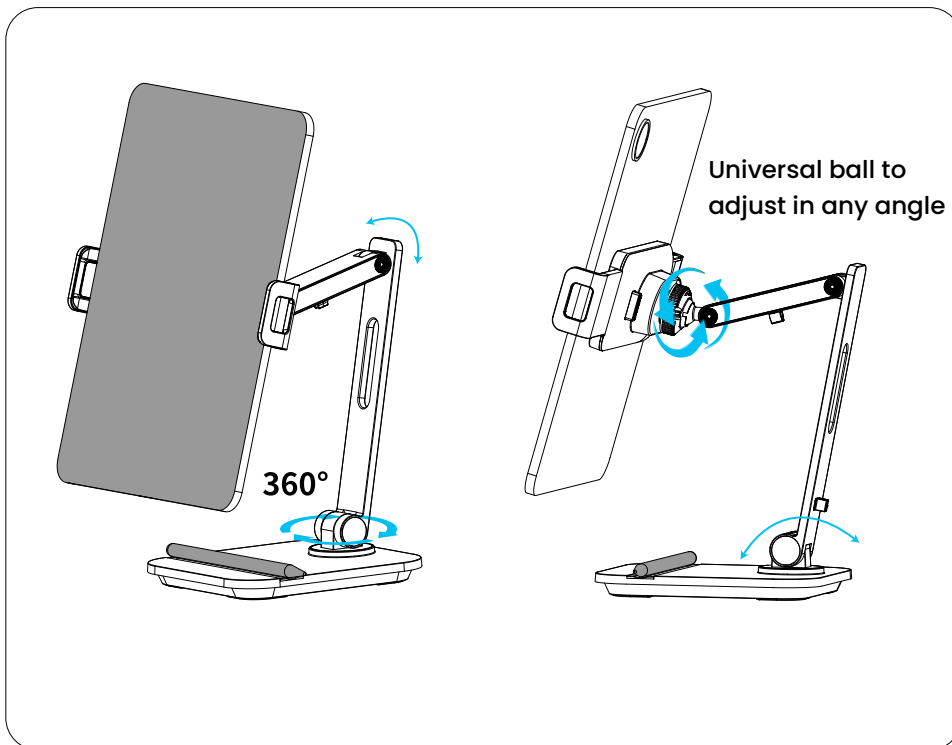
## Installation Guide



1. Remove the wrench from the bottom.
2. Install the device in the direction indicated by the arrow.
3. Tighten the screws.
4. Install the device according to the serial number (1 → 2 → 3).
5. Tighten the nuts.
6. The installation is complete.

# Product Description

1. The diagram illustrates the joint movement, and the universal ball allows you to adjust the angle in any direction, providing full 360° rotation.
2. After pressing the button, both arms will extend and contract.
3. Install the cable as directed by the arrow.



## Specifications

|                  |        |
|------------------|--------|
| Model Number     | SMO20  |
| Input            | 5V/3A  |
| Battery Capacity | 500mAh |

## Disposal

This product must not be disposed of as unsorted household waste. It is important to separate such waste for proper treatment and recycling, in compliance with local waste management regulations.



## **Warranty**

Products that you buy directly from our **Powerology** website or shop come with a 24-month warranty.

The 24-month warranty applies to products purchased directly from our **Powerology** website or store. If **Powerology** products are bought from any of our verified retailers, then the product is eligible for only a 12-month warranty. To extend your product's warranty, visit our website [powerology.me/warranty](https://powerology.me/warranty) and fill in your details in the provided form along with an uploaded picture of the product to process your request. Once approved, you will receive a confirmation email of the extended product warranty. Upload the required information within 48 hours of purchase to be eligible for a 24-month warranty period.

For more info, please check:  
[powerology.me/warranty](https://powerology.me/warranty)

## **Contact Us**

If you have any questions about this Privacy Policy, please contact us at: [hey@powerology.me](mailto:hey@powerology.me)

Website: [powerology.me](https://powerology.me)

Instagram: [powerology\\_official](https://www.instagram.com/powerology_official)

Facebook: [powerology.ME](https://www.facebook.com/powerology.ME)