



Powerology

Floréa Wireless Charging Stand

SKU: PWK3000BK

Table of Contents

Specifications	2
Charging Guide	2
MagSafe Compatibility	4
Indicator Guide	5
Important Notes	6
Disposal	6
Warranty	7
Contact Us	7

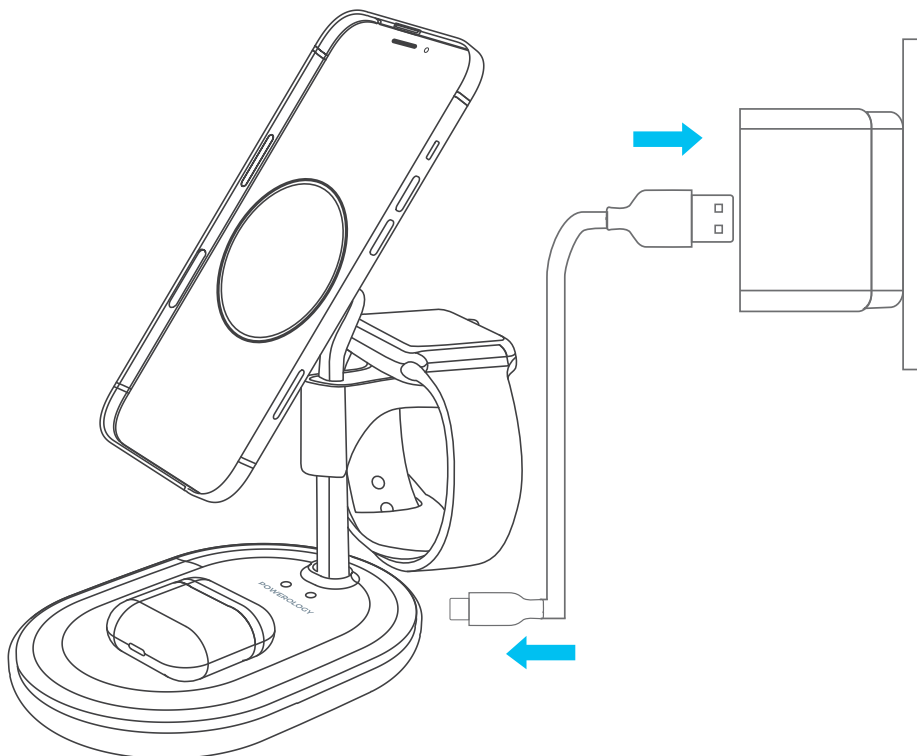
Specifications

Model	PWK3000
Input	5V/2A, 9V/2A
Wireless Output	15W, 10W, 7.5W, 5W (Phone), 3W (Earbuds), 2.5W (Watch)
Material	ABS + PC + Zinc Alloy
Product Weight	258g
Product Dimension	80.5 x 115x 150mm

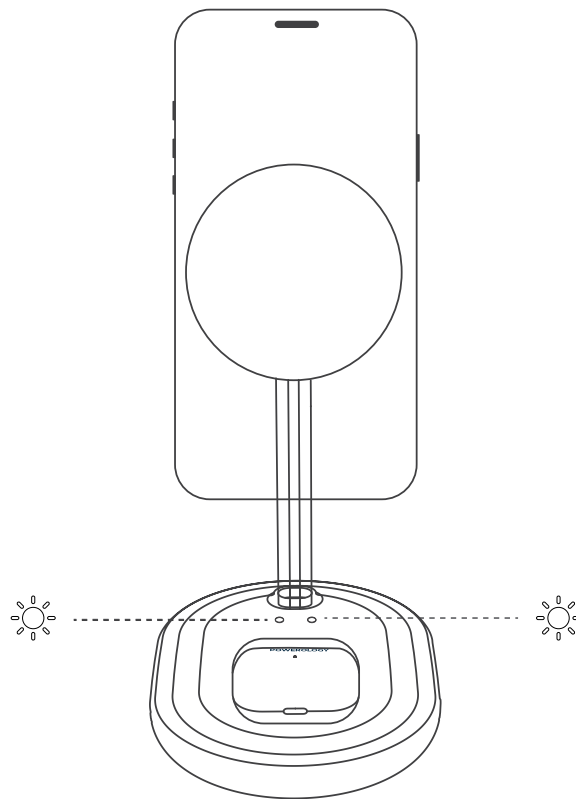
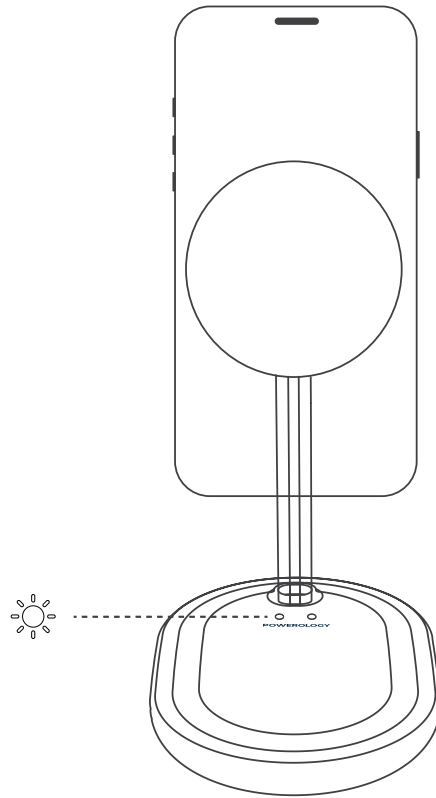
Charging Guide

Connect the charging cable to the Wireless Charging Stand and place your phone on the stand with the MagSafe area aligned. The charging light will turn on, indicating charging has begun.

For Optimal Charging: To ensure fast and safe charging, we highly recommend using a Quick Charge 2.0 or 3.0 Wall Charger. Other chargers may not work as efficiently with this device.



Place your phone on it. The one light will turn on, indicating that the phone is charging. If you place your earbuds on the charging stand, two lights will turn on, showing that the earbuds are now charging.



MagSafe Compatibility

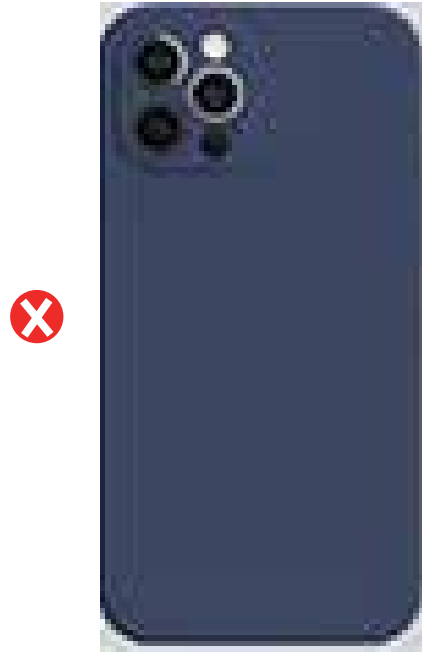
Bare Metal (iPhone 12/13/14 series): Strong magnetic attraction ensures a secure connection and prevents the phone from slipping off.












iPhone MagSafe Magnetic Phone Case: Strong magnetic attraction keeps the phone securely in place without slipping off.



Conventional Phone Case: The magnetic force is weakened, causing the phone to slip off easily.



Indicator Guide

Function	LED Indicator
Device is connected to the power source.	  5"  
Standby Mode	
Device is charging.	
Device is fully charged.	
1. Charging interrupted due to metal or temperature detection. 2. Non-quick charge charger detected.	
Apple Watch charging status.	

Important Notes

- 1.** Keep the charger away from any water or liquids to prevent damage.
- 2.** Avoid placing the charger near magnetic strips or card readers (such as ID cards or bank cards) to prevent interference with the magnetic function.
- 3.** The charger should not be used with devices that contain metal plates, as this can lead to excessive heat, which may burn or damage the device.
- 4.** Fast charging is supported using both the plug and USB cables (compatible with QC and PD).
- 5.** For best performance, we recommend using the iPhone 12/13/14 series for bare metal charging or the original iPhone MagSafe magnetic case. Other phone cases may cause the phone to slip off, potentially leading to damage. Please note, the charger is not compatible with phones outside the iPhone 14/13/12 series.
- 6.** Wireless chargers using Qi technology generally operate at 130°F. However, we recommend keeping the temperature below 113°F for our products. If the temperature exceeds this, the charger will automatically stop charging. Should you experience any issues, please reach out to us.
- 7.** To prevent overheating, consider turning off any power-consuming software before charging. If the temperature exceeds 113°F during charging, it's normal for the charging speed to slow down.

Disposal

This product must not be disposed of as unsorted household waste. It is important to separate such waste for proper treatment and recycling, in compliance with local waste management regulations.

Warranty

Products that you buy directly from our **Powerology** website or shop come with a 24-month warranty.

The 24-month warranty applies to products purchased directly from our **Powerology** website or store. If **Powerology** products are bought from any of our verified retailers, then the product is eligible for only a 12-month warranty. To extend your product's warranty, visit our website powerology.me/warranty and fill in your details in the provided form along with an uploaded picture of the product to process your request. Once approved, you will receive a confirmation email of the extended product warranty. Upload the required information within 48 hours of purchase to be eligible for a 24-month warranty period.

For more info, please check:
powerology.me/warranty

Contact Us

If you have any questions about this Privacy Policy, please contact us at: hey@powerology.me

Website: powerology.me

Instagram: [powerology_official](https://www.instagram.com/powerology_official)

Facebook: [powerology.ME](https://www.facebook.com/powerology.ME)