



Powerology

**LYONS 10000mAh
POWER BANK**

SKU: PPBFT04BK

Table of Contents

| | |
|-------------------|---|
| Product Overview | 2 |
| Specifications | 2 |
| Usage Guide | 3 |
| Safety Guidelines | 4 |
| Disposal | 5 |
| Warranty | 6 |
| Contact Us | 6 |

Product Overview

The Powerology LYONS 10000mAh Foldable Power Bank is a compact and versatile charging solution. It offers 45W Power Delivery USB-C output, 15W magnetic wireless charging, and a retractable 70cm USB-C cable. With the ability to charge up to three devices simultaneously, it's perfect for on-the-go lifestyles. Its foldable design makes it portable and easy to carry. Equipped with safety features like overcharge protection, this power bank ensures fast and secure charging for your devices. Ideal for travelers, professionals, and everyday users.

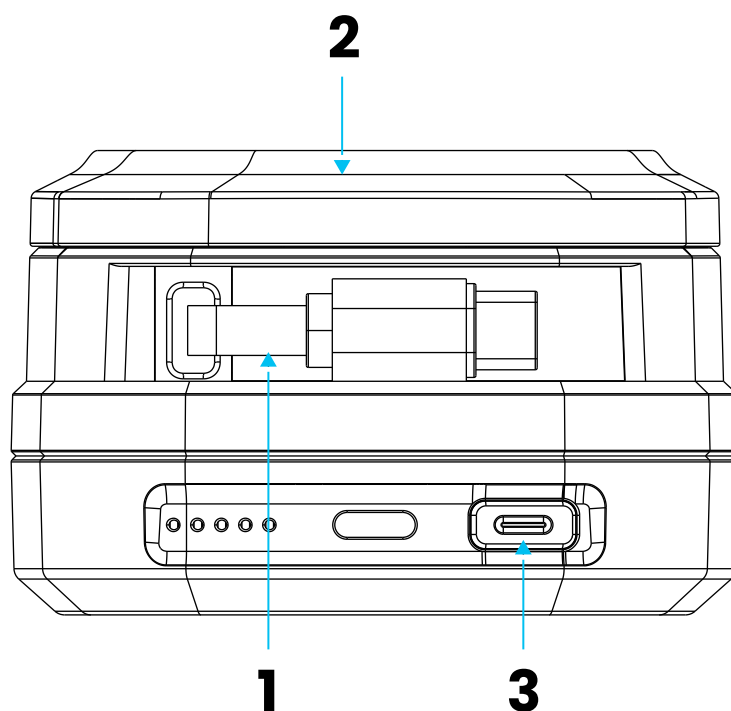
Specifications

| | |
|----------------------------|---|
| Model | PPBFT04 |
| Battery Capacity | 10000mAh |
| Type-C Input | 5V/3A, 9V/3A, 12V/3A, 15V/3A, 20V/1.5A |
| Type-C Output | 5V/3A, 9V/3A, 12V/3A, 15V/3A, 20V/2.25A |
| Type-C Cable Input | 5V/3A, 9V/3A, 12V/3A, 15V/3A, 20V/1.5A |
| Type-C Cable Output | 5V/3A, 9V/3A, 12V/3A, 15V/3A, 20V/2.25A |
| Type-C/Type-C Cable Output | 5V/3A |
| Wireless Output | 5W/7.5W/10W/15W |

| | |
|----------------|----------------|
| Cable Length | 70cm |
| Product Size | 48 x 66 x 66mm |
| Product Weight | 257.8g |

Usage Guide

- 1.** Use the Type-C cable to charge your mobile phone or laptop. Ensure both devices are properly connected for optimal charging.
- 2.** Place your mobile phone, headphones, or smartwatch on the charging pad for wireless charging. Make sure the devices are compatible with wireless charging for efficient power transfer.
- 3.** The Type-C interface can be used to charge your mobile phone or connect a data cable to charge the power bank itself. Ensure the cable is securely connected to both the device and the power bank for proper charging.



Safety Guidelines

Please follow these guidelines to avoid improper charging, overheating, intermittent charging, or no charging at all.

1. For Optimal Charging Performance:

1.1 Use QC3.0 or PD adapters with a power output of more than 25W for a better charging experience.

1.2 Adapters providing 5V/2A will result in insufficient power supply.

Note: The required adapter is not included with the product. This power bank supports both QC and PD charging protocols for compatibility.

2. Ensure Effective Charging:

2.1 Ensure your device is placed in the center of the wireless charging area for optimal charging.

2.2 The effective charging distance is between 2mm and 6mm.

2.3 Avoid using phone cases thicker than 2mm when charging wirelessly to ensure proper charging.

3. Avoid Interference from Metal Objects:

3.1 Make sure there are no metal objects on the surface of the power bank or on the back of your device during charging.

3.2 If your phone case is made of metal, remove it before charging to prevent interference and overheating.

4. Operating Environment:

Do not use the power bank in extremely hot, humid, or dusty environments, as these conditions can damage the internal circuits and reduce its lifespan.

5. Handling and Maintenance:

5.1 Do not strike, crush, or apply excessive force to the power

bank as it may damage the internal components.

5.2 Do not attempt to disassemble or modify the product. Opening the power bank may result in electric shock or malfunction.

6. Cleaning Instructions:

To clean the product, use a soft, lightly dampened cloth. Avoid using abrasive materials or harsh chemicals to ensure the longevity and appearance of the product.

Disposal

This product must not be disposed of as unsorted household waste. It is important to separate such waste for proper treatment and recycling, in compliance with local waste management regulations.



Warranty

Products that you buy directly from our **Powerology** website or shop come with a 24-month warranty.

The 24-month warranty applies to products purchased directly from our **Powerology** website or store. If **Powerology** products are bought from any of our verified retailers, then the product is eligible for only a 12-month warranty. To extend your product's warranty, visit our website **powerology.me/warranty** and fill in your details in the provided form along with an uploaded picture of the product to process your request. Once approved, you will receive a confirmation email of the extended product warranty. Upload the required information within 48 hours of purchase to be eligible for a 24-month warranty period.

For more info, please check:
powerology.me/warranty

Contact Us

If you have any questions about this Privacy Policy, please contact us at: **hey@powerology.me**

Website: **powerology.me**

Instagram: **[powerology_official](https://www.instagram.com/powerology_official)**

Facebook: **[powerology.ME](https://www.facebook.com/powerology.ME)**